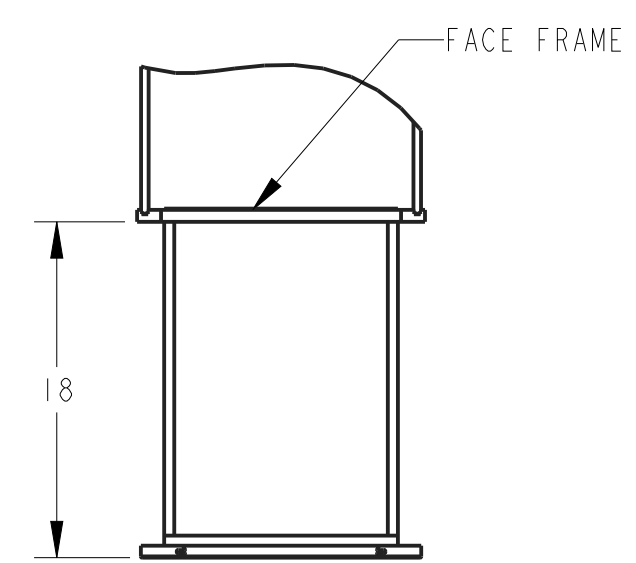


PRODUCT	WI	DRAWER 1 FRONT SIZE	DRAWER 2&3 FRONT SIZE
		ROUNDED TO THE NEAREST 1/32	
VDB12	12"	11 17/32" X 6 7/32"	11 17/32" X 11 5/16"
VDB15	15"	14 17/32" X 6 7/32"	14 17/32" X 11 5/16"
VDB18	18"	17 17/32" X 6 7/32"	17 17/32" X 11 5/16"
VDB21	21"	20 17/32" X 6 7/32"	20 17/32" X 11 5/16"



THIRD ANGLE PROJECTION 		<b>hardware resources</b>		
MATERIAL N/A	FINISH N/A			
DRAWN BY ANDY BROWN		DATE 01APR2020		DRAWING NUMBER VDB12-VDB15-VDB18_FULL
DESIGNED BY NORTHPOINT		DATE 30MAR2020		REV <b>A</b>
APPROVED BY GREG DAVIS		SIZE A3	SCALE 0.071	SHEET 1 / 1

PRODUCT SHOWN VDB18  
DOCUMENT STATUS **Released**

HARDWARE RESOURCES RESERVES THE RIGHT TO CHANGE SPECIFICATIONS WITHOUT NOTICE.  
IN CASE OF A DISCREPANCY, ACTUAL PART GEOMETRY SUPERSEDES THIS DOCUMENT.

THE INFORMATION CONTAINED WITHIN THIS DRAWING IS THE SOLE PROPERTY OF HARDWARE RESOURCES INC. ANY REPRODUCTION IN PART OR WHOLE WITHOUT WRITTEN PERMISSION OF HARDWARE RESOURCES INC. IS PROHIBITED.