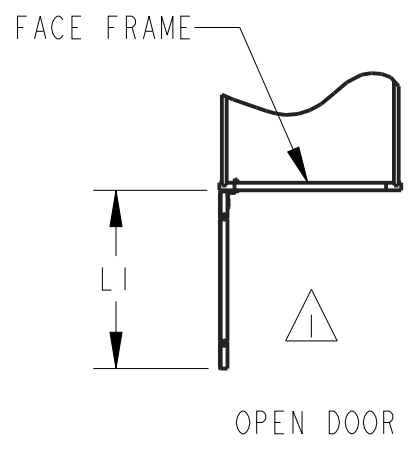
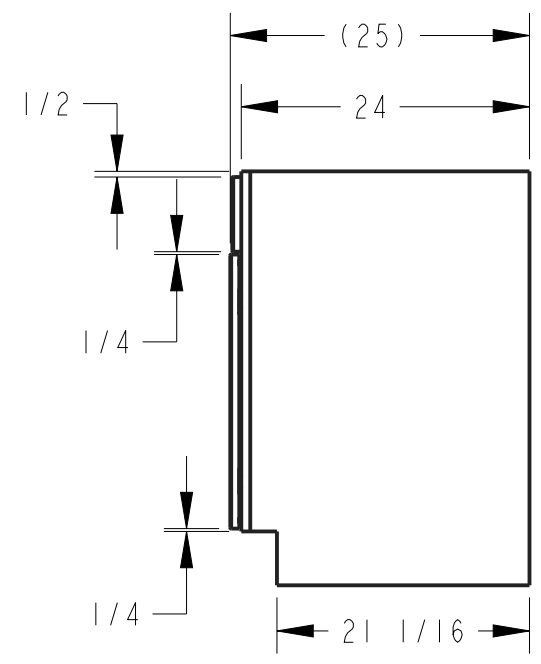
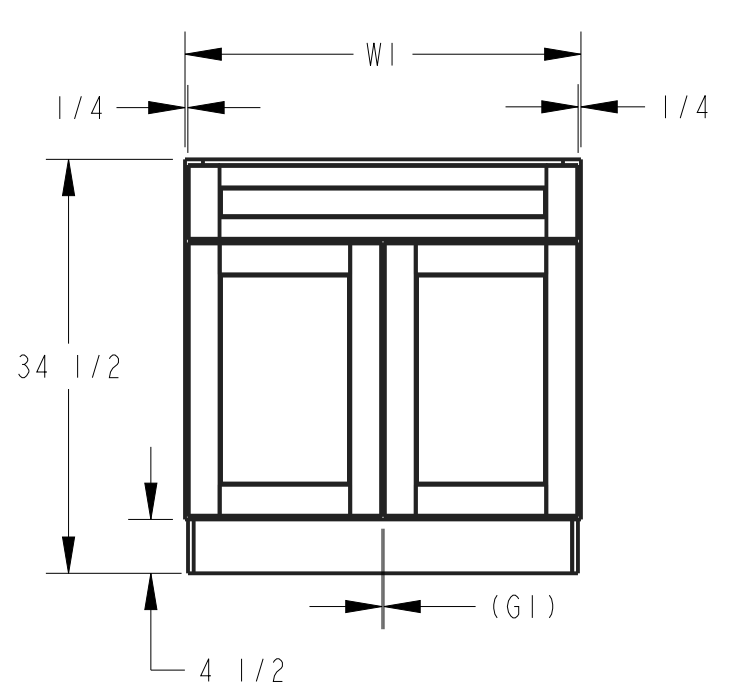


NOTES:


 OPEN DOOR VIEW INCLUDES HINGE SPACE OFFSET.

PRODUCT	WI	LI	GI	DRAWER FRONT SIZE	DOOR SIZE
SB30	30"	14 13/16"	(5/32")	29 17/32" X 6 7/32"	14 11/16" X 22 27/32"
SB33	33"	16 5/16"	(5/32")	32 17/32" X 6 7/32"	16 3/16" X 22 27/32"
SB36	36"	17 13/16"	(5/32")	35 17/32" X 6 7/32"	17 11/16" X 22 27/32"
SB39	39"	19 3/16"	(15/32")	38 17/32" X 6 7/32"	19 1/32" X 22 27/32"



PRODUCT SHOWN SB33

DOCUMENT STATUS: **Released**

THIRD ANGLE PROJECTION 		hardware resources		
MATERIAL N/A	FINISH N/A			
DRAWN BY ANDY BROWN	DATE 27MAR2020	DRAWING NUMBER SB30-SB33-SB36-B39_FULL_OVERLAY		REV A
DESIGNED BY NORTHPOINT	DATE	SIZE A3	SCALE 0.071	SHEET 1 / 1
APPROVED BY GREG DAVIS	DATE 22APR2020			

HARDWARE RESOURCES RESERVES THE RIGHT TO CHANGE SPECIFICATIONS WITHOUT NOTICE. IN CASE OF A DISCREPANCY, ACTUAL PART GEOMETRY SUPERSEDES THIS DOCUMENT.

THE INFORMATION CONTAINED WITHIN THIS DRAWING IS THE SOLE PROPERTY OF HARDWARE RESOURCES INC. ANY REPRODUCTION IN PART OR WHOLE WITHOUT WRITTEN PERMISSION OF HARDWARE RESOURCES INC. IS PROHIBITED.