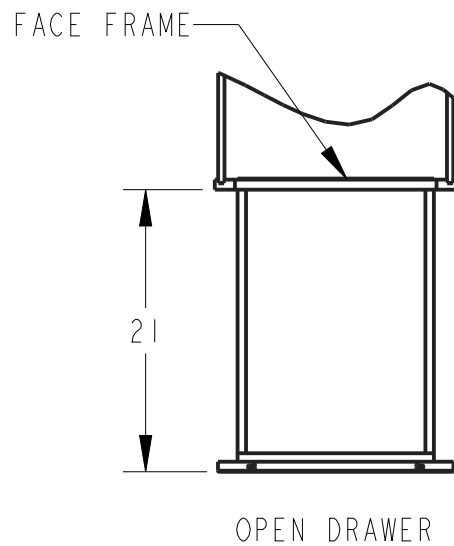
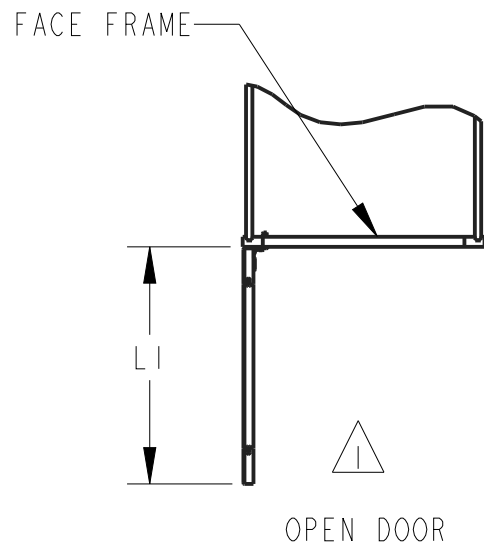
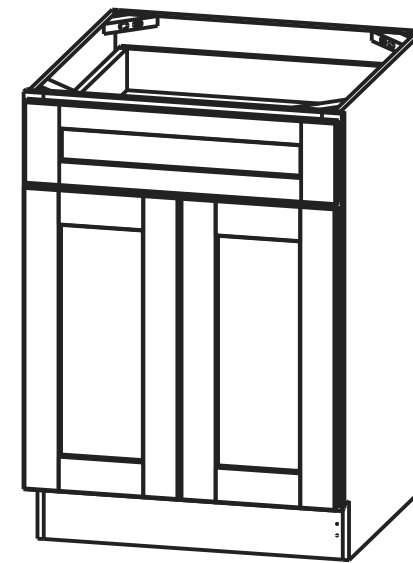
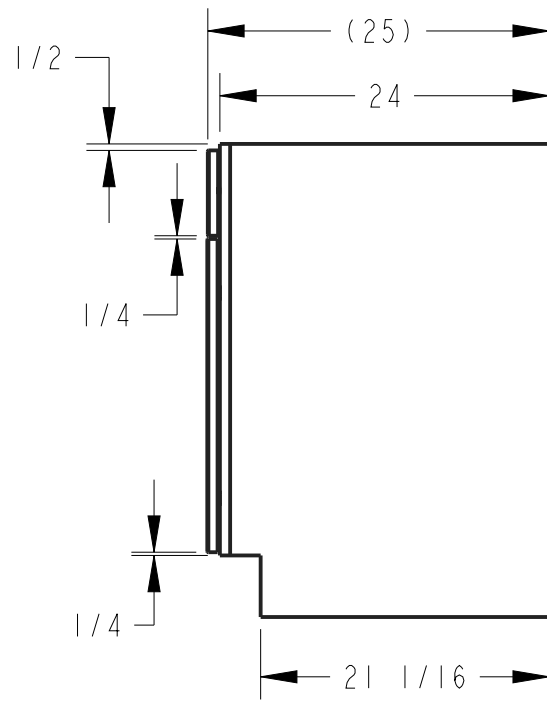
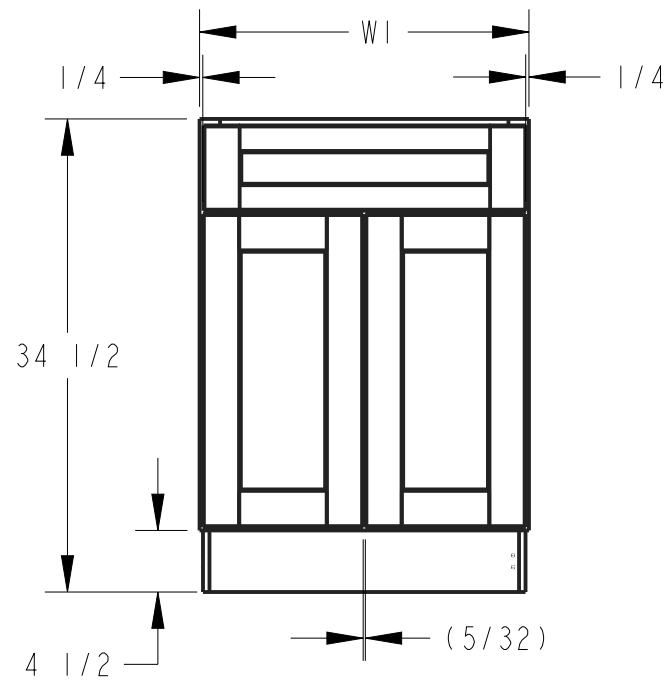


NOTES:

⚠ OPEN DOOR VIEW INCLUDES HINGE SPACE OFFSET.

PRODUCT	WI	LI	DRAWER SIZE	DOOR SIZE
			ROUNDED TO THE NEAREST 1/32	
B24	24"	11 13/16"	23 17/32" X 6 7/32"	11 11/16" X 22 7/32"
B27	27"	13 5/16"	26 17/32" X 6 7/32"	13 3/16" X 22 7/32"
B30	30"	14 13/16"	29 17/32" X 6 7/32"	14 11/16" X 22 7/32"



PRODUCT SHOWN B24

DOCUMENT STATUS: **Released**

THIRD ANGLE PROJECTION ⊕ ◀		hardware resources		
MATERIAL N/A	FINISH N/A			
DRAWN BY ANDY BROWN	DATE 26MAR2020	DRAWING NUMBER B24-B27-B30_FULL_OVERLAY		REV C
DESIGNED BY NORTHPOINT	DATE	SIZE A3	SCALE 0.071	SHEET 1 / 1
APPROVED BY GREG DAVIS	DATE 30MAR2020			

HARDWARE RESOURCES RESERVES THE RIGHT TO CHANGE SPECIFICATIONS WITHOUT NOTICE.
IN CASE OF A DISCREPANCY, ACTUAL PART GEOMETRY SUPERSEDES THIS DOCUMENT.

THE INFORMATION CONTAINED WITHIN THIS DRAWING IS THE SOLE PROPERTY OF HARDWARE RESOURCES INC. ANY REPRODUCTION IN PART OR WHOLE WITHOUT WRITTEN PERMISSION OF HARDWARE RESOURCES INC. IS PROHIBITED.