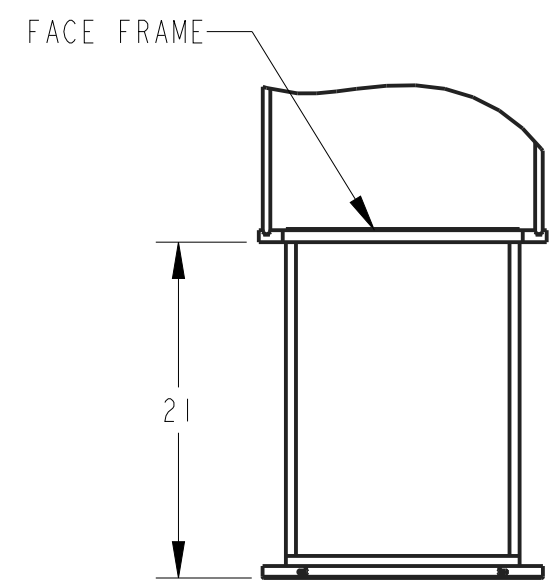
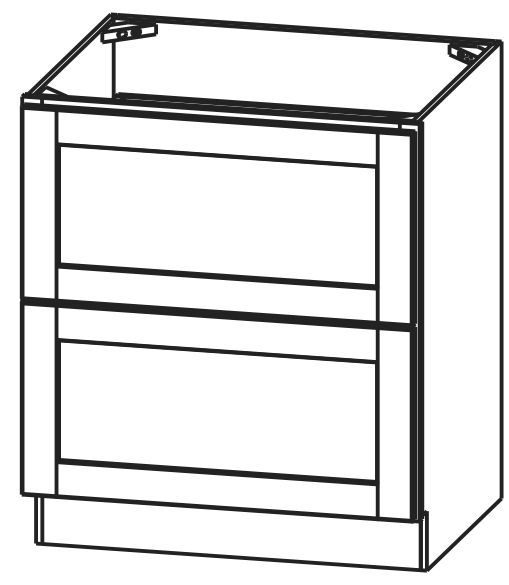
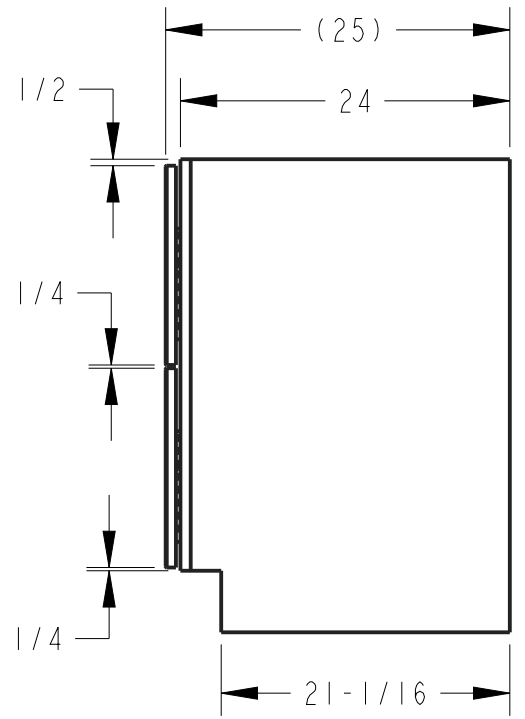
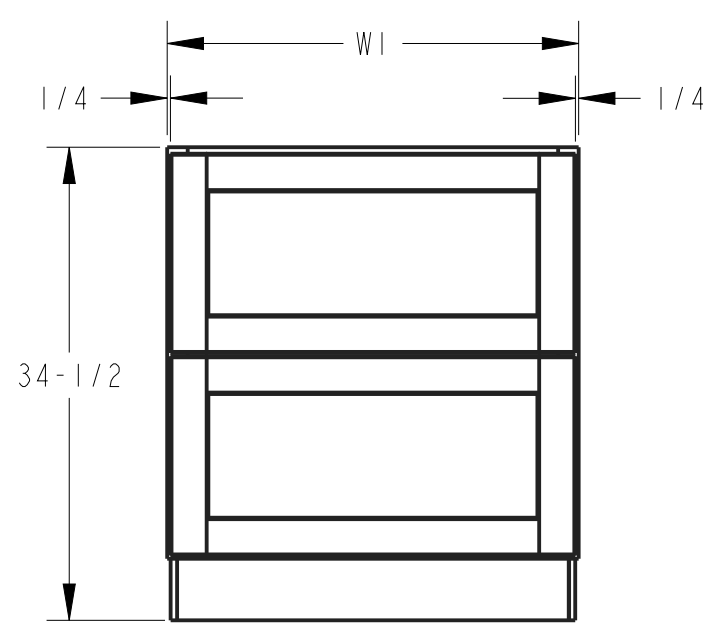


PRODUCT	WI	DRAWER SIZE
		ROUNDED TO THE NEAREST 1/32
DB30-2	30"	29 17/32" X 14 17/32"
DB36-2	36"	35 17/32" X 14 17/32"



OPEN DRAWER

PRODUCT SHOWN DB30-2

DOCUMENT STATUS **Released**

THIRD ANGLE PROJECTION 		hardware resources		
MATERIAL N/A	FINISH N/A			
DRAWN BY ANDY BROWN	DATE 27MAR2020	DRAWING NUMBER DB30-DB36-2_DRAWER_FULLL		REV C
DESIGNED BY NORTHPOINT	DATE	SIZE A3	SCALE 0.071	SHEET 1 / 1
APPROVED BY GREG DAVIS	DATE 30MAR2020			

HARDWARE RESOURCES RESERVES THE RIGHT TO CHANGE SPECIFICATIONS WITHOUT NOTICE.
IN CASE OF A DISCREPANCY, ACTUAL PART GEOMETRY SUPERSEDES THIS DOCUMENT.

THE INFORMATION CONTAINED WITHIN THIS DRAWING IS THE SOLE PROPERTY OF HARDWARE RESOURCES INC. ANY REPRODUCTION IN PART OR WHOLE WITHOUT WRITTEN PERMISSION OF HARDWARE RESOURCES INC. IS PROHIBITED.