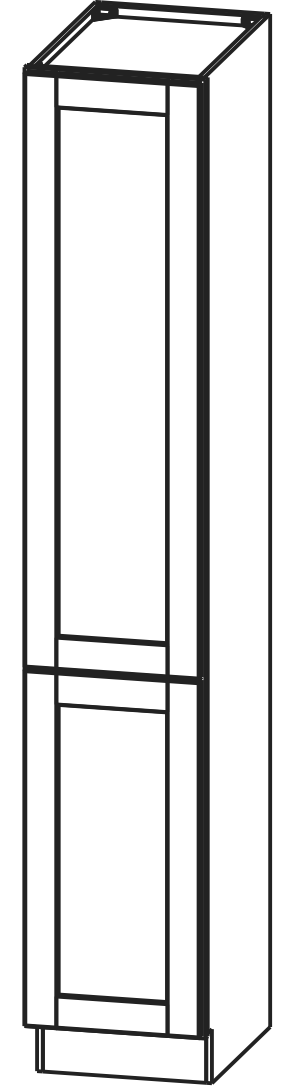
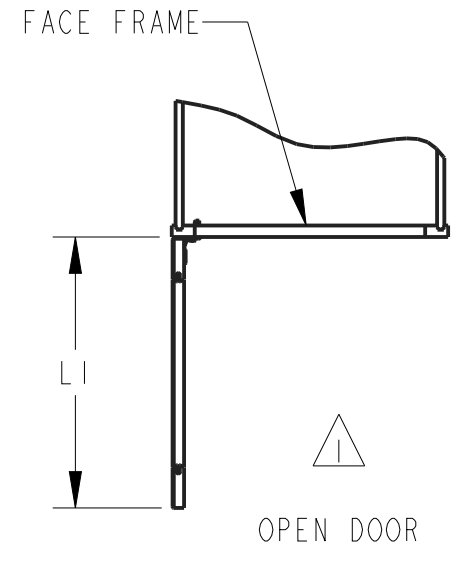
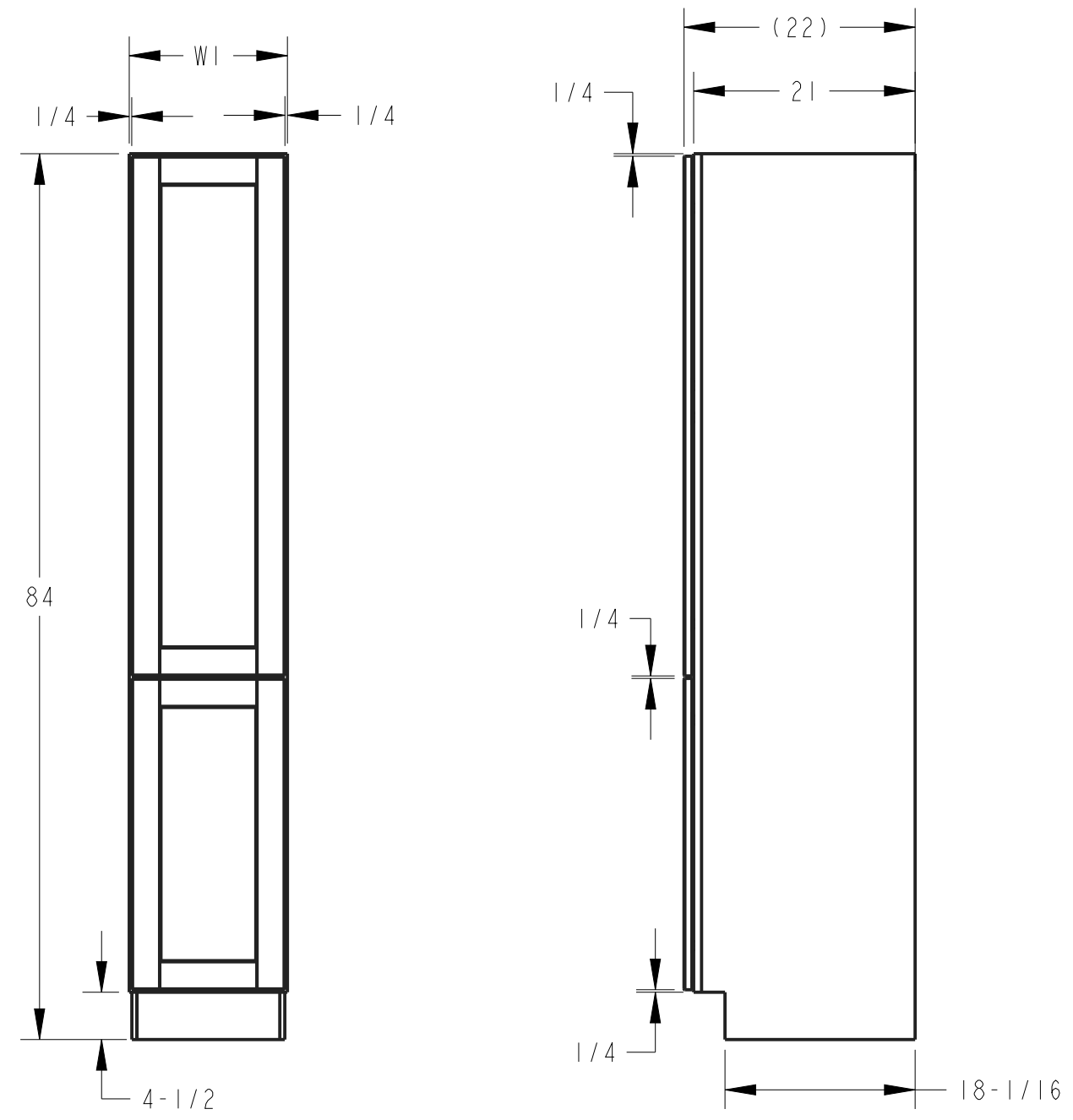


8 7 6 5 4 3 2 1

NOTES:
 OPEN DOOR VIEW INCLUDES HINGE SPACE OFFSET.

PRODUCT	WI	LI	DOOR 1 SIZE	DOOR 2 SIZE
			ROUNDED TO THE NEAREST 1/32	
VLI584	15"	14 5/8"	14 17/32" X 49 9/32"	14 17/32" X 29 17/32"
VLI884	18"	17 5/8"	17 17/32" X 49 9/32"	17 17/32" X 29 17/32"



PRODUCT SHOWN VLI584

DOCUMENT STATUS **Released**

THIRD ANGLE PROJECTION 	
MATERIAL N/A	FINISH N/A
DRAWN BY ANDY BROWN	DATE 30MAR2020
DESIGNED BY NORTHPOINT	DATE
APPROVED BY GREG DAVIS	DATE 22APR2020



DESCRIPTION VLI584, VLI884 FULLL OVERLAY		
DRAWING NUMBER VLI584-VLI884_FULL_OVERLAY	REV A	
SIZE A3	SCALE 0.071	SHEET 1 / 1

HARDWARE RESOURCES RESERVES THE RIGHT TO CHANGE SPECIFICATIONS WITHOUT NOTICE.
 IN CASE OF A DISCREPENCY, ACTUAL PART GEOMETRY SUPERSEDES THIS DOCUMENT.

THE INFORMATION CONTAINED WITHIN THIS DRAWING IS THE SOLE PROPERTY OF HARDWARE RESOURCES INC. ANY REPRODUCTION IN PART OR WHOLE WITHOUT WRITTEN PERMISSION OF HARDWARE RESOURCES INC. IS PROHIBITED.

8 7 6 5 4 3 2 1