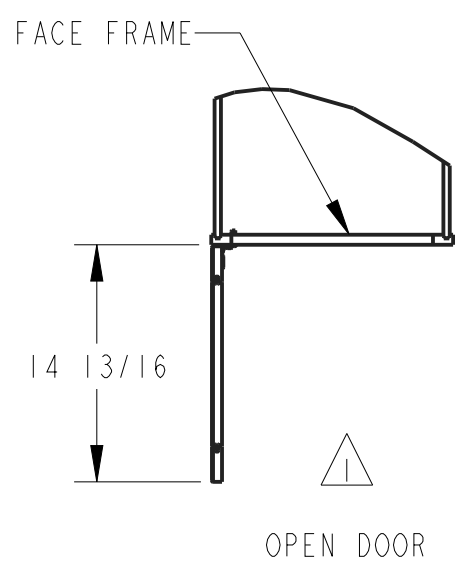
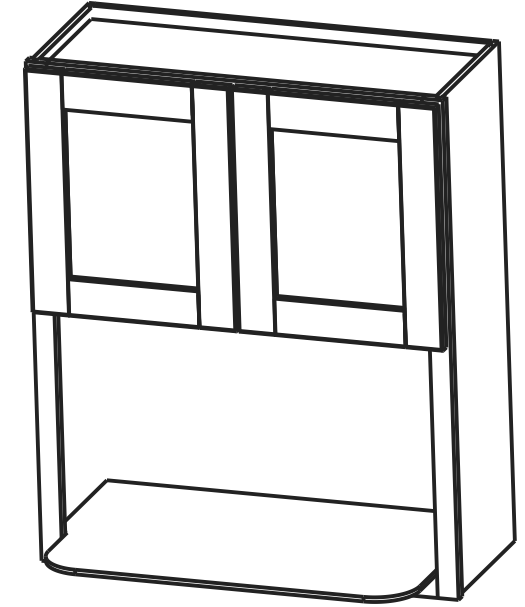
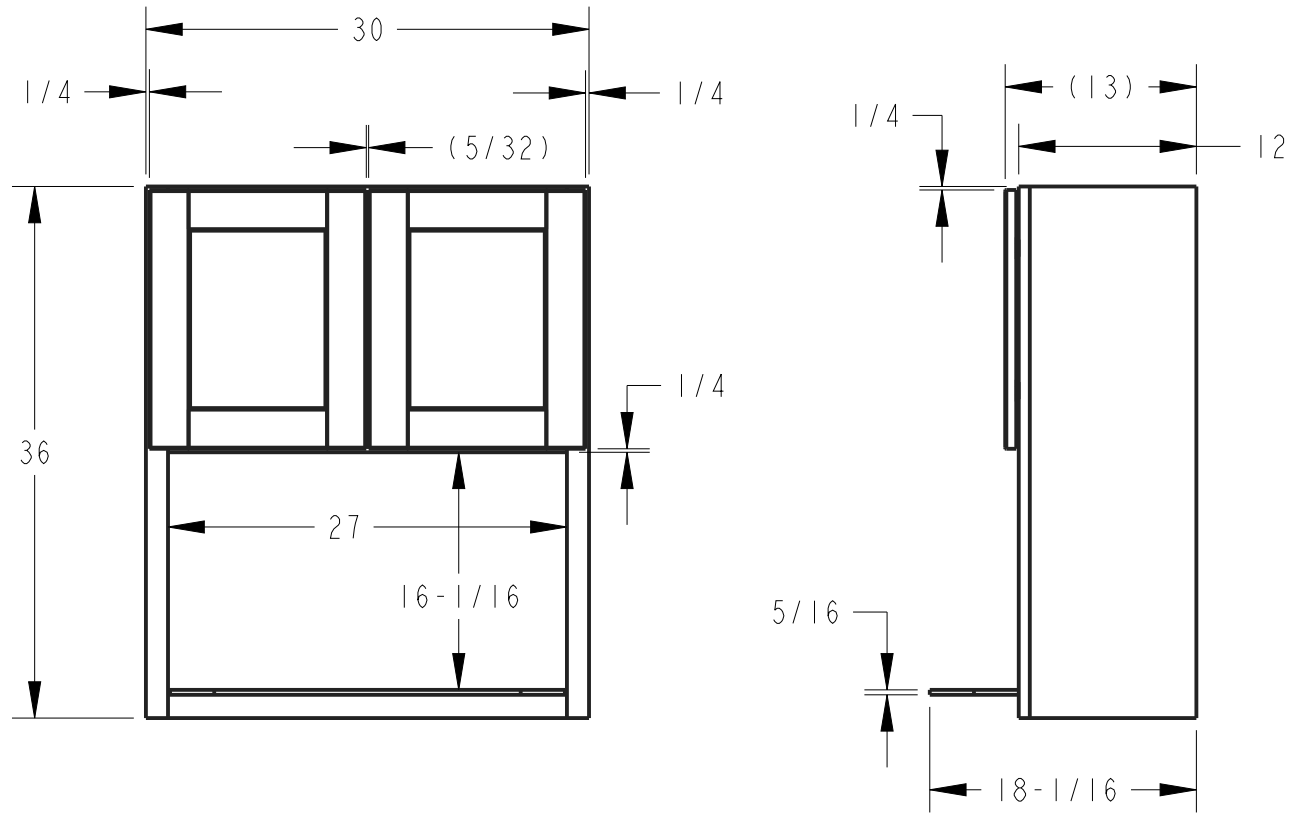
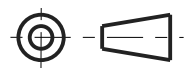


NOTES:

 OPEN DOOR VIEW INCLUDES HINGE SPACE OFFSET.



DOOR SIZE	
ROUNDED TO THE NEAREST 1/32	
14 11/16" X 17 17/32"	
THIRD ANGLE PROJECTION	
	
MATERIAL	FINISH
N/A	N/A
DRAWN BY	DATE
ANDY BROWN	23MAR2020
DESIGNED BY	DATE
NORTHPOINT	
APPROVED BY	DATE
GREG DAVIS	23MAR2020



DESCRIPTION		
MWC3036 FULL OVERLAY		
DRAWING NUMBER	REV	
MWC3036_FULL_OVERLAY	C	
SIZE	SCALE	SHEET
A3	0.071	1 / 1

DOCUMENT STATUS **Released**

HARDWARE RESOURCES RESERVES THE RIGHT TO CHANGE SPECIFICATIONS WITHOUT NOTICE.
IN CASE OF A DISCREPANCY, ACTUAL PART GEOMETRY SUPERSEDES THIS DOCUMENT.

THE INFORMATION CONTAINED WITHIN THIS DRAWING IS THE SOLE PROPERTY OF HARDWARE RESOURCES INC. ANY REPRODUCTION IN PART OR WHOLE WITHOUT WRITTEN PERMISSION OF HARDWARE RESOURCES INC. IS PROHIBITED.