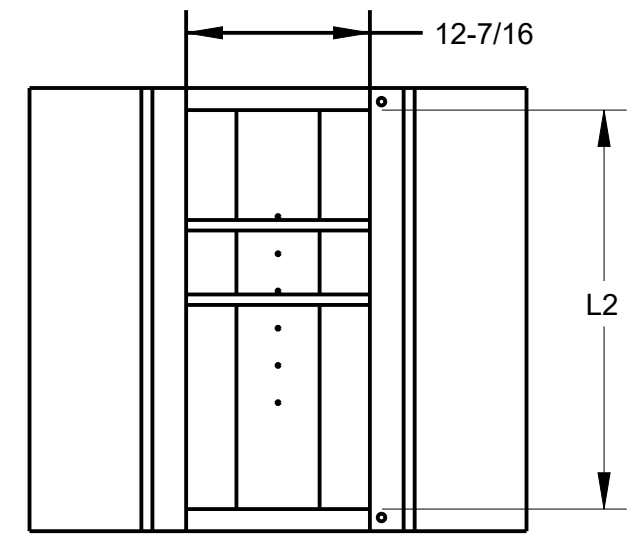
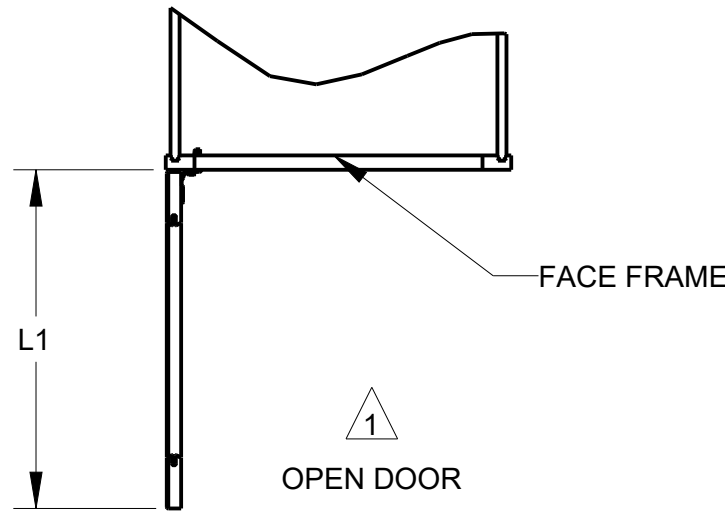
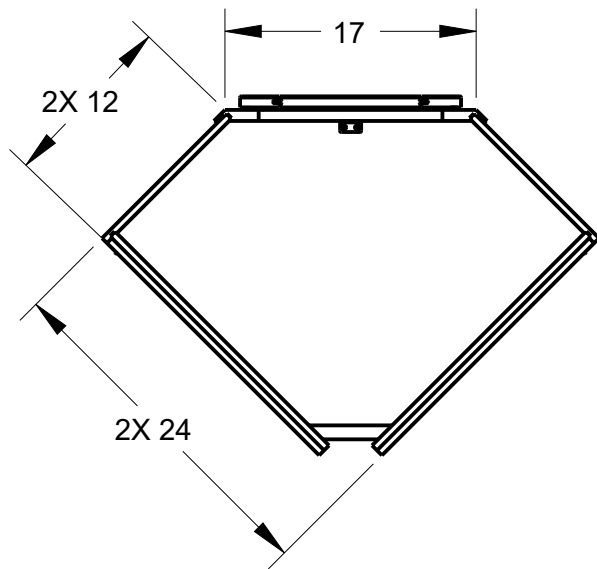
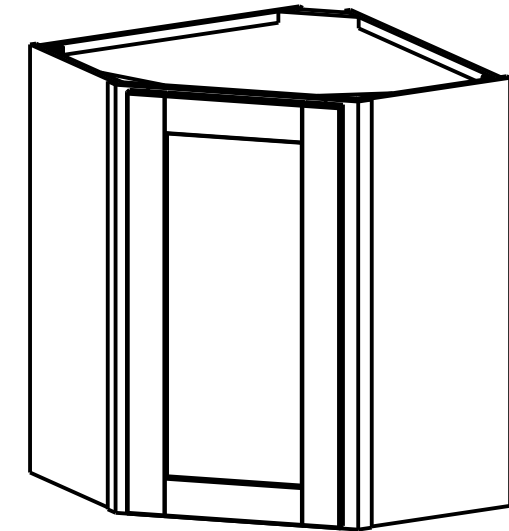
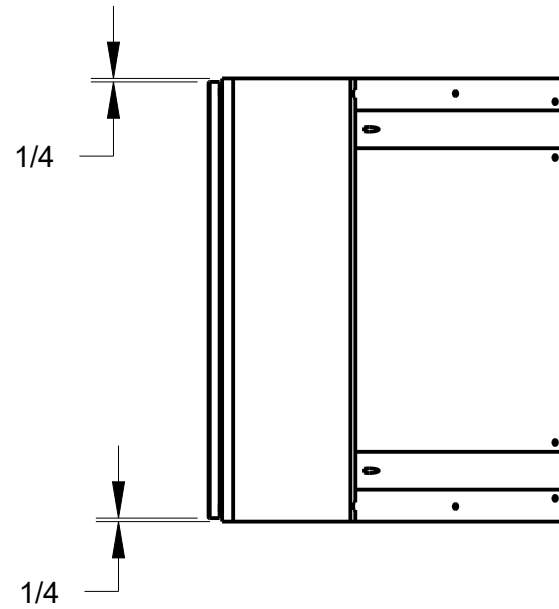
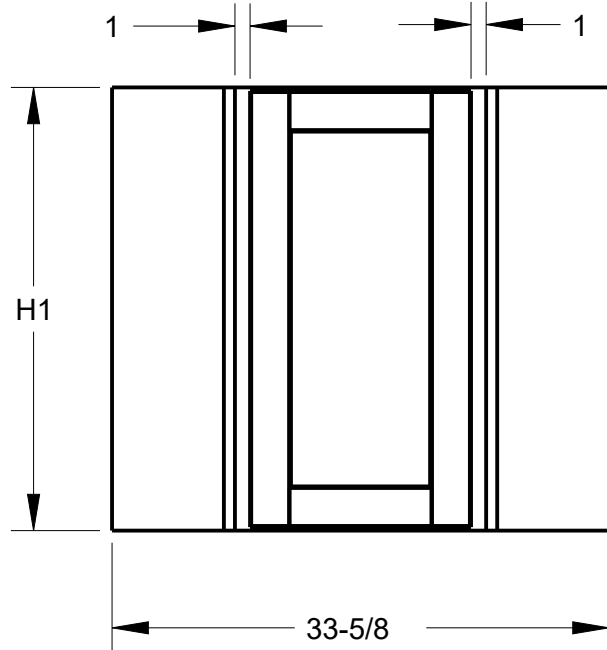


NOTE:

1 OPEN DOOR VIEW INCLUDES HINGE SPACE OFFSET.

PRODUCT	H1	L1	L2	DOOR SIZE
				ROUNDED TO THE NEAREST 1/32
WDC2430	30"	15 1/8"	27"	14 31/32" X 29 17/32"
WDC2436	36"	15 1/8"	33"	14 31/32" X 35 1/2"
WDC2442	42"	15 1/8"	39"	14 31/32" X 41 17/32"

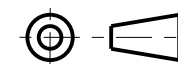


CABINET DOOR OPENING

PRODUCT SHOWN W2430

DOCUMENT STATUS Released

THIRD ANGLE PROJECTION



MATERIAL

FINISH

N/A

N/A

DRAWN BY  
E.GOLESTANYAN

DATE  
23MAR2020

DESIGNED BY  
NORTHPOINT

DATE

APPROVED BY  
GREG DAVIS

DATE  
30MAR2020

**hardware resources**

DESCRIPTION

WDC2430, WDC2436, WDC2442 FULL OVERLAY

DRAWING NUMBER  
WDC2430-WDC2436-WDC2442\_FULL

REV  
**A**

SIZE  
A3

SCALE  
0.077

SHEET  
1 / 1

HARDWARE RESOURCES RESERVES THE RIGHT TO CHANGE SPECIFICATIONS WITHOUT NOTICE.  
IN CASE OF A DISCREPANCY, ACTUAL PART GEOMETRY SUPERSEDES THIS DOCUMENT.

THE INFORMATION CONTAINED WITHIN THIS DRAWING IS THE SOLE PROPERTY OF HARDWARE RESOURCES INC. ANY REPRODUCTION IN PART OR WHOLE WITHOUT WRITTEN PERMISSION OF HARDWARE RESOURCES INC. IS PROHIBITED.