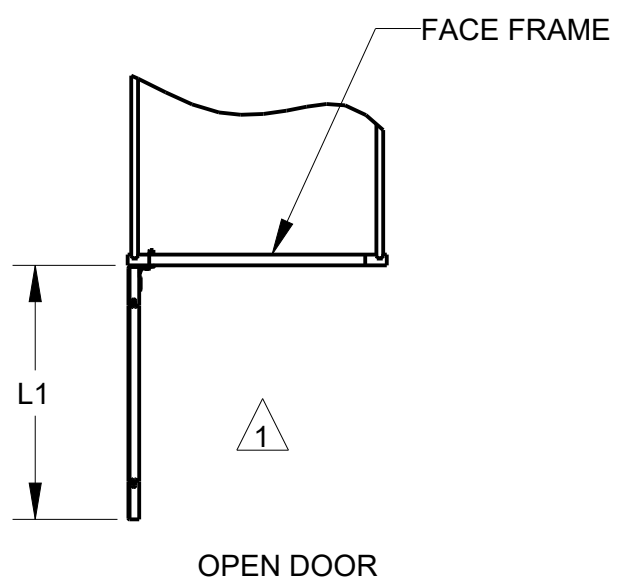
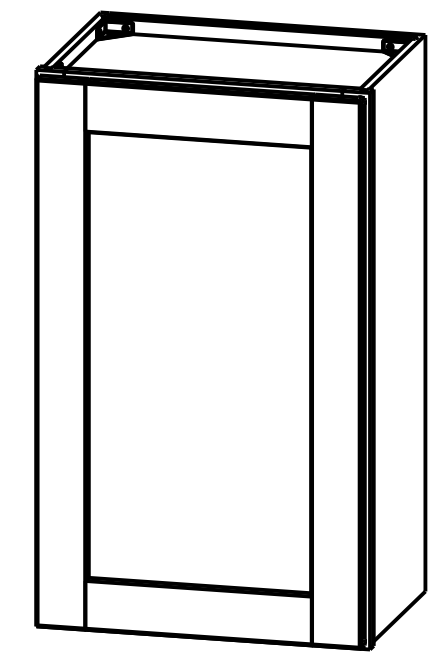
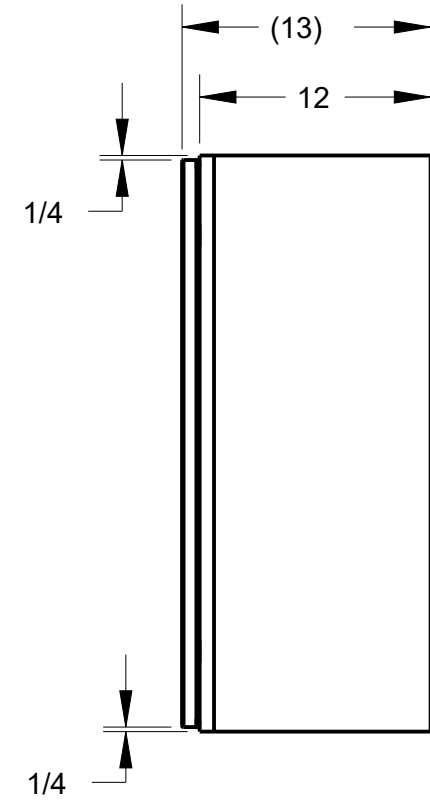
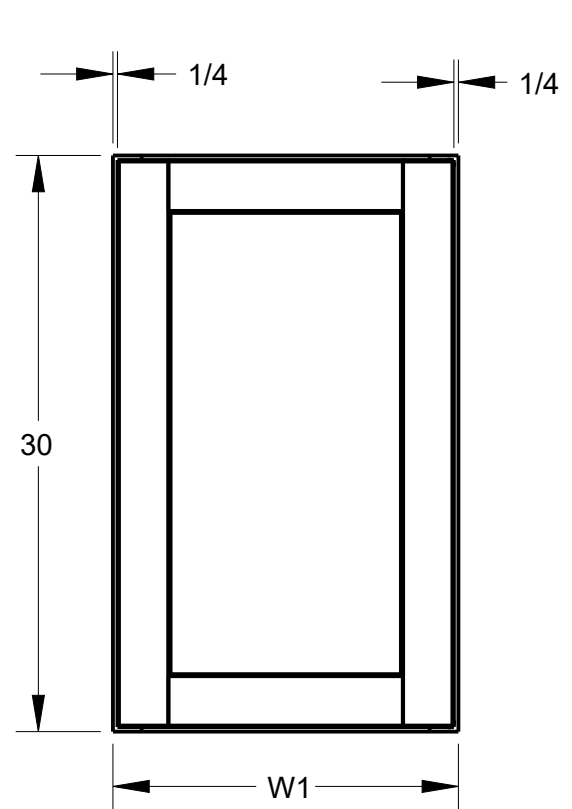


NOTES:

1 OPEN DOOR VIEW INCLUDES HINGE SPACE OFFSET.

PRODUCT	W1	L1	DOOR SIZE
			ROUNDED TO THE NEAREST 1/32
W0930	9"	8 11/16"	8 17/32" X 29 17/32"
W1230	12"	11 11/16"	11 17/32" X 29 17/32"
W1530	15"	14 11/16"	14 17/32" X 29 17/32"
W1830	18"	17 11/16"	17 17/32" X 29 17/32"
W2130	21"	20 11/16"	20 17/32" X 29 17/32"



PRODUCT SHOWN W1830

DOCUMENT STATUS Released

THIRD ANGLE PROJECTION		hardware resources		
MATERIAL	FINISH	DESCRIPTION W0930, W1230, W1530, W1830, W2130 FULL OVERLAY		
N/A	N/A			
DRAWN BY E.GOLESTANYAN	DATE 18MAR2020	DRAWING NUMBER W0930-W1230W1530W1830W2130_FULL		REV B
DESIGNED BY NORTHPOINT	DATE	SIZE A3	SCALE 0.100	SHEET 1 / 1
APPROVED BY GREG DAVIS	DATE 27MAR2020			

HARDWARE RESOURCES RESERVES THE RIGHT TO CHANGE SPECIFICATIONS WITHOUT NOTICE.
IN CASE OF A DISCREPANCY, ACTUAL PART GEOMETRY SUPERSEDES THIS DOCUMENT.

THE INFORMATION CONTAINED WITHIN THIS DRAWING IS THE SOLE PROPERTY OF HARDWARE RESOURCES INC. ANY REPRODUCTION IN PART OR WHOLE WITHOUT WRITTEN PERMISSION OF HARDWARE RESOURCES INC. IS PROHIBITED.