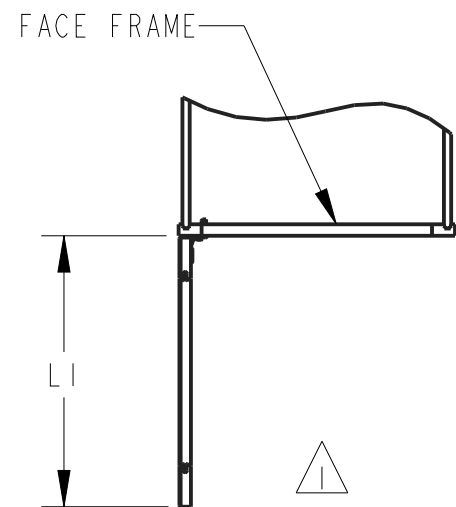
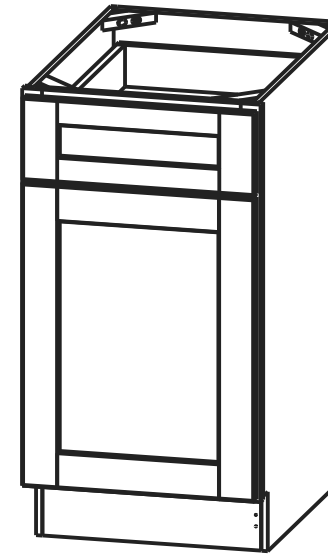
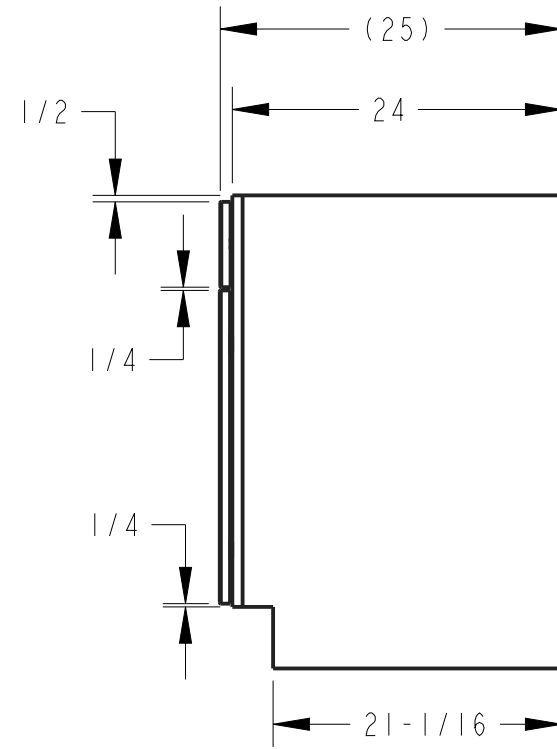
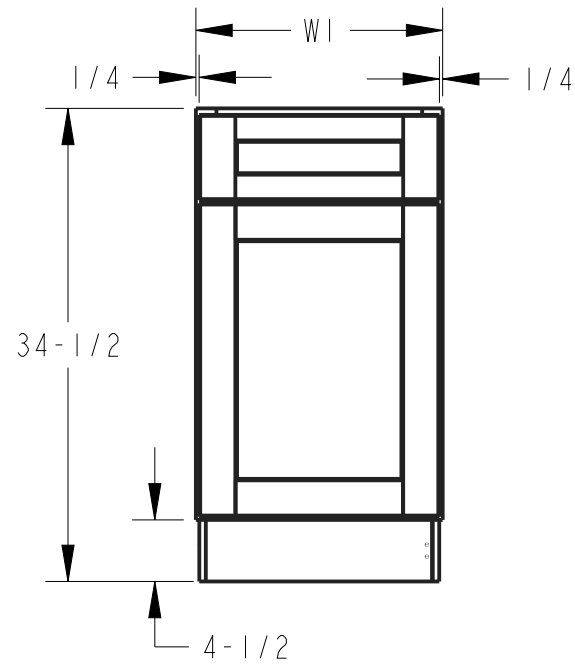


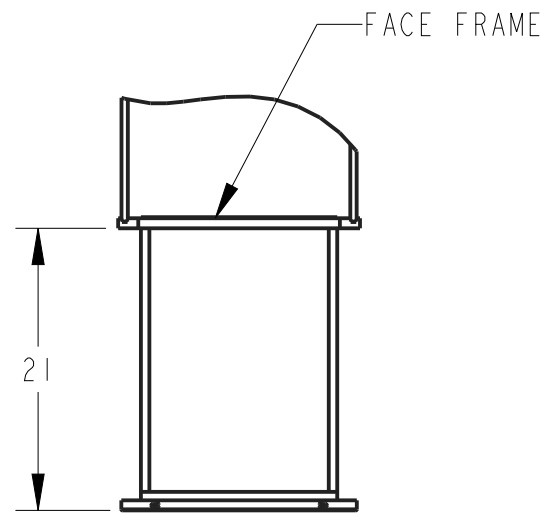
NOTES:

△ OPEN DOOR VIEW INCLUDES HINGE SPACE OFFSET.

PRODUCT	WI	LI	DRAWER SIZE	DOOR SIZE
			ROUNDED TO THE NEAREST 1/32	
B12	12"	11 5/8"	11 17/32" X 6 7/32"	11 17/32" X 22 27/32"
B15	15"	14 5/8"	14 17/32" X 6 7/32"	14 17/32" X 22 27/32"
B18	18"	17 5/8"	17 17/32" X 6 7/32"	17 17/32" X 22 27/32"
B21	21"	20 5/8"	20 17/32" X 6 7/32"	20 1/2" X 22 27/32"



OPEN DOOR



OPEN DRAWER

PRODUCT SHOWN B18

DOCUMENT STATUS **Released**

HARDWARE RESOURCES RESERVES THE RIGHT TO CHANGE SPECIFICATIONS WITHOUT NOTICE. IN CASE OF A DISCREPANCY, ACTUAL PART GEOMETRY SUPERSEDES THIS DOCUMENT.

THE INFORMATION CONTAINED WITHIN THIS DRAWING IS THE SOLE PROPERTY OF HARDWARE RESOURCES INC. ANY REPRODUCTION IN PART OR WHOLE WITHOUT WRITTEN PERMISSION OF HARDWARE RESOURCES INC. IS PROHIBITED.

THIRD ANGLE PROJECTION ⊕		hardware resources		
MATERIAL N/A	FINISH N/A			
DRAWN BY ANDY BROWN		DATE 16MAR2020	DRAWING NUMBER B12-B15-B18-B21_FULL	
DESIGNED BY NORTHPOINT		DATE	SIZE A3	REV C
APPROVED BY GREG DAVIS		DATE 30MAR2020	SCALE 0.071	SHEET 1 / 1