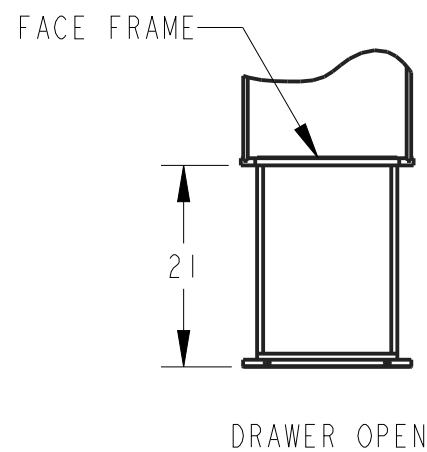
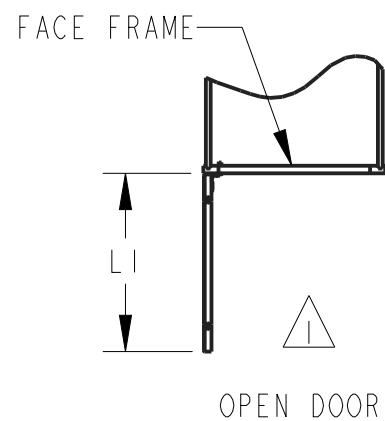
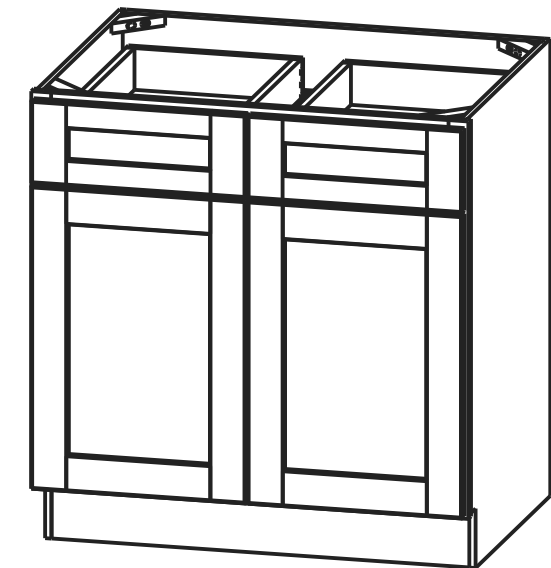
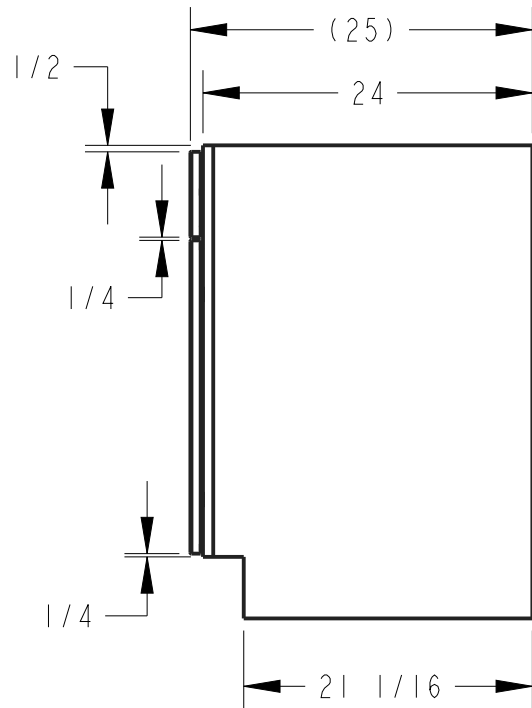
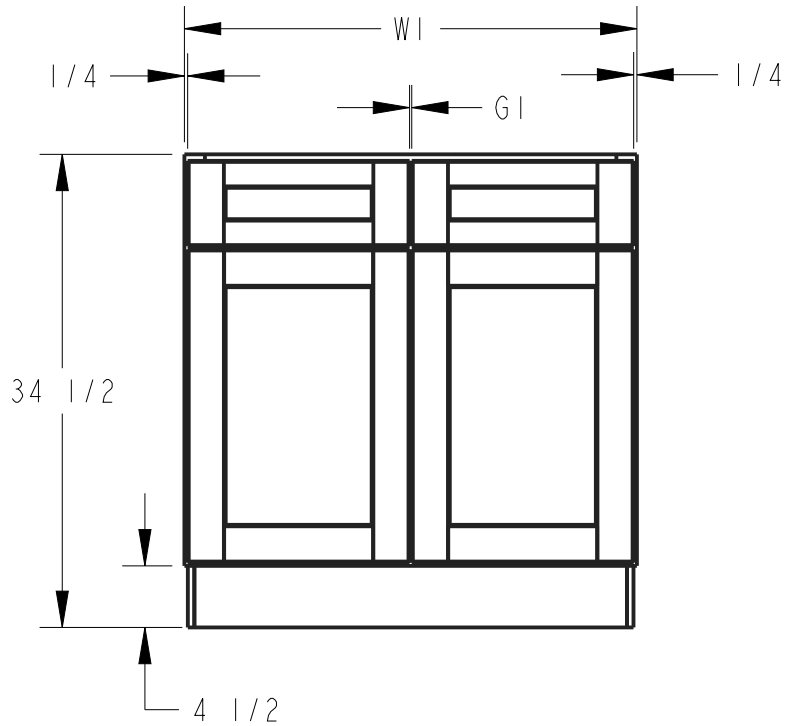


8 7 6 5 4 3 2 1

NOTES:

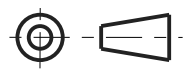
 OPEN DOOR VIEW INCLUDES HINGE SPACE OFFSET.

PRODUCT	WI	LI	GI	DRAWER SIZE	DOOR SIZE
				ROUNDED TO THE NEAREST 1/32	
B33	33"	16 5/16"	(5/32")	16 3/16" X 6 7/32"	16 3/16" X 22 27/32"
B36	36"	17 3/4"	(5/32")	17 11/16" X 6 7/32"	17 11/16" X 22 27/32"
B39	39"	19 3/16"	(15/32")	19 1/16" X 6 7/32"	19 1/16" X 22 27/32"
B42	42"	20 5/8"	(15/32")	20 17/32" X 6 7/32"	20 17/32" X 22 27/32"



PRODUCT SHOWN B33

DOCUMENT STATUS: **Released**

THIRD ANGLE PROJECTION 		<b>hardware resources</b>		
MATERIAL N/A	FINISH N/A			
DRAWN BY ANDY BROWN	DATE 27MAR2020	DRAWING NUMBER B33-B36-B39-B42_FULL_OVERLAY		REV <b>C</b>
DESIGNED BY NORTHPOINT	DATE	SIZE A3	SCALE 0.071	SHEET 1 / 1
APPROVED BY GREG DAVIS	DATE 30MAR2020			

HARDWARE RESOURCES RESERVES THE RIGHT TO CHANGE SPECIFICATIONS WITHOUT NOTICE.  
IN CASE OF A DISCREPANCY, ACTUAL PART GEOMETRY SUPERSEDES THIS DOCUMENT.

THE INFORMATION CONTAINED WITHIN THIS DRAWING IS THE SOLE PROPERTY OF HARDWARE RESOURCES INC. ANY REPRODUCTION IN PART OR WHOLE WITHOUT WRITTEN PERMISSION OF HARDWARE RESOURCES INC. IS PROHIBITED.

8 7 6 5 4 3 2 1