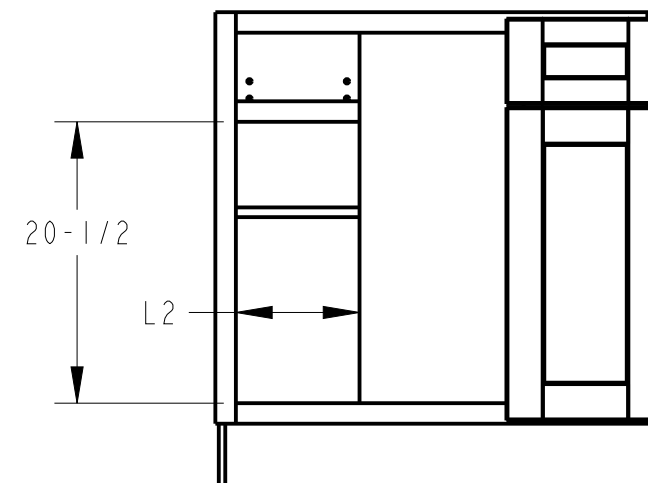
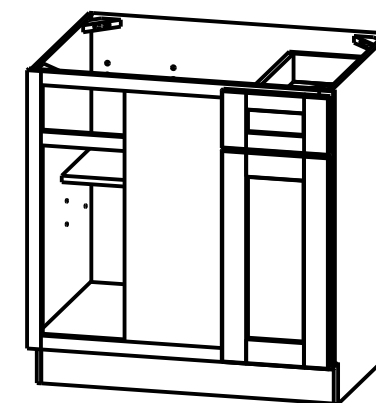
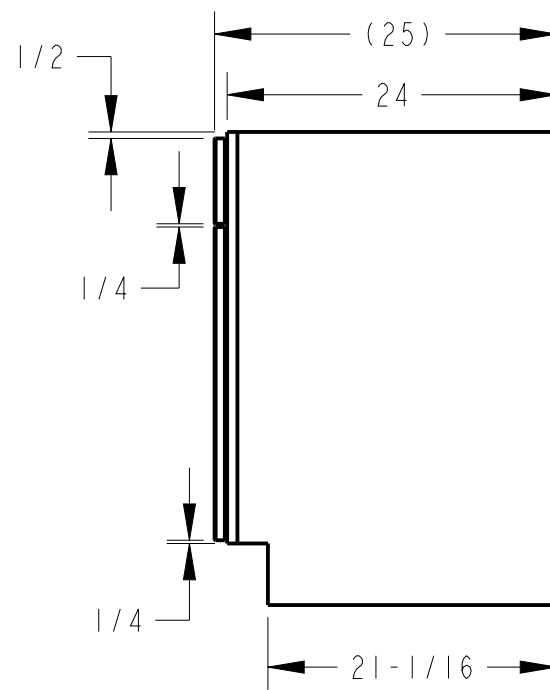
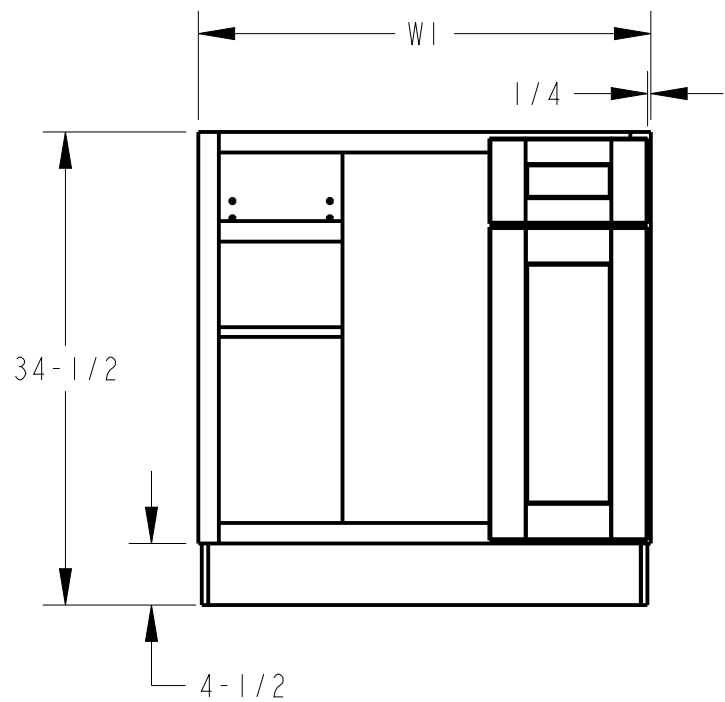


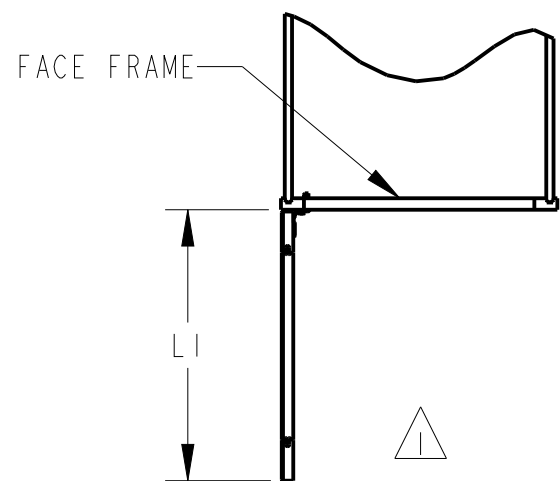
NOTE:

① OPEN DOOR VIEW INCLUDES HINGE SPACE OFFSET.

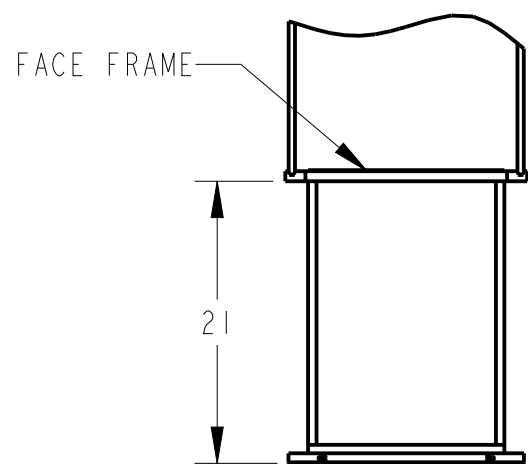
② 3" FILLER SOLD SEPERATELY.



CABINET DOOR OPENING



OPEN DOOR



OPEN DRAWER

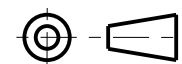
PRODUCT SHOWN BB4245

DOCUMENT STATUS Released

HARDWARE RESOURCES RESERVES THE RIGHT TO CHANGE SPECIFICATIONS WITHOUT NOTICE.  
IN CASE OF A DISCREPANCY, ACTUAL PART GEOMETRY SUPERSEDES THIS DOCUMENT.

THE INFORMATION CONTAINED WITHIN THIS DRAWING IS THE SOLE PROPERTY OF HARDWARE RESOURCES INC. ANY REPRODUCTION IN PART OR WHOLE WITHOUT WRITTEN PERMISSION OF HARDWARE RESOURCES INC. IS PROHIBITED.

THIRD ANGLE PROJECTION



MATERIAL

FINISH

N/A

N/A

DRAWN BY  
ANDY BROWN

DATE  
16MAR2020

DESIGNED BY  
NORTHPOINT

DATE

APPROVED BY  
GREG DAVIS

DATE  
20APR2020

**hardware resources**

DESCRIPTION

BBC3942, BBC4245, BBC4548 FULL OVERLAY

DRAWING NUMBER  
BBC3942-BBC4245-BBC4548\_FULL

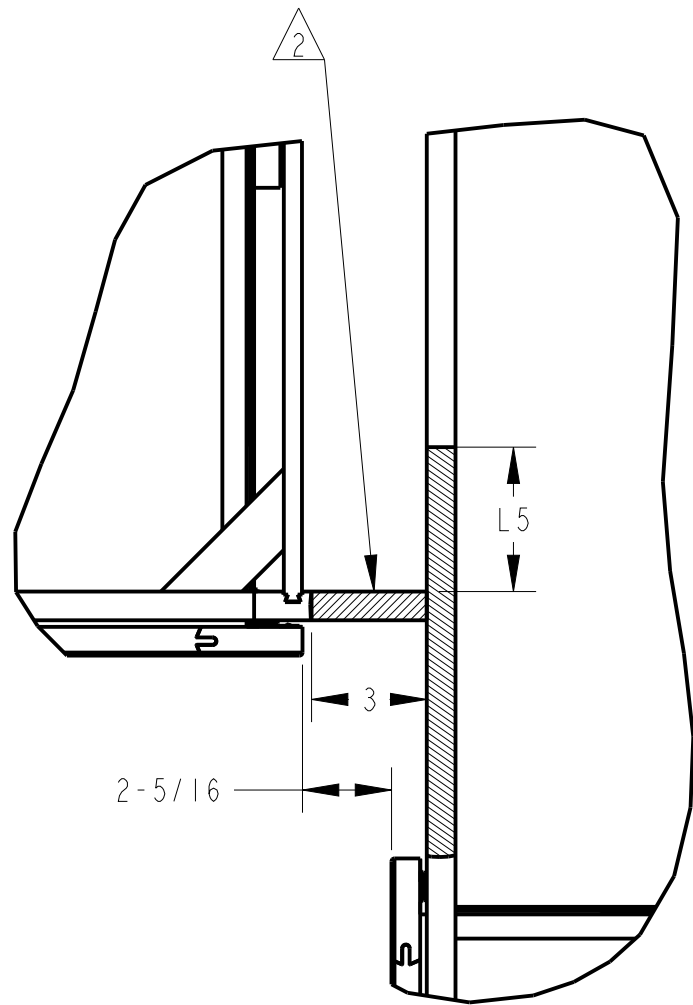
REV  
**C**

SIZE  
A3

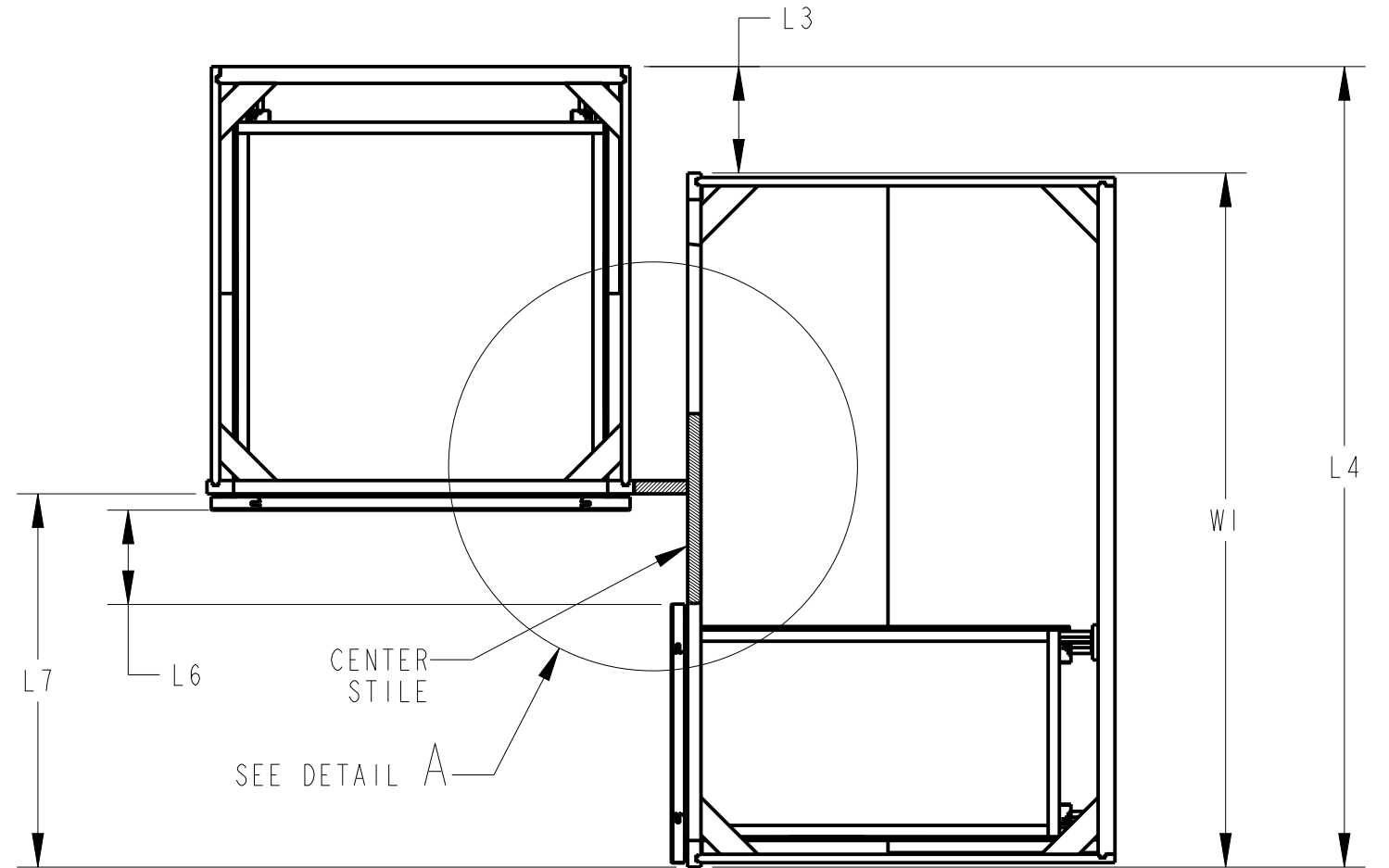
SCALE  
0.071

SHEET  
1 / 2

PRODUCT	W1	L1	L2	L3		L4		L5		L6		L7		DRAWER SIZE	DOOR SIZE
				max	min	max	min	max	min	max	min				
BBC39-42U	33"	11 5/8"	9"	9"	6"	42"	39"	3 3/4"	6 3/4"	5 5/16"	2 5/16"	18"	15"	11 17/32" X 6 7/32"	11 17/32" X 22 27/32"
BBC42-45U	39"	14 5/8"	12"	6"	3"	45"	42"	3 3/4"	6 3/4"	5 5/16"	2 5/16"	21"	18"	14 17/32" X 6 7/32"	14 17/32" X 22 27/32"
BBC45-48U	42"	17 5/8"	15"	6"	3"	48"	45"	3/4"	3 3/4"	5 5/16"	2 5/16"	24"	21"	17 17/32" X 6 7/32"	17 17/32" X 22 27/32"



DETAIL A  
SCALE 0.200



DRAWING NUMBER		REV
BBC3942-BBC4245-BBC4548_FULL		<b>C</b>
SIZE	SCALE	SHEET
A3	0.100	2 / 2
DOCUMENT STATUS		Released