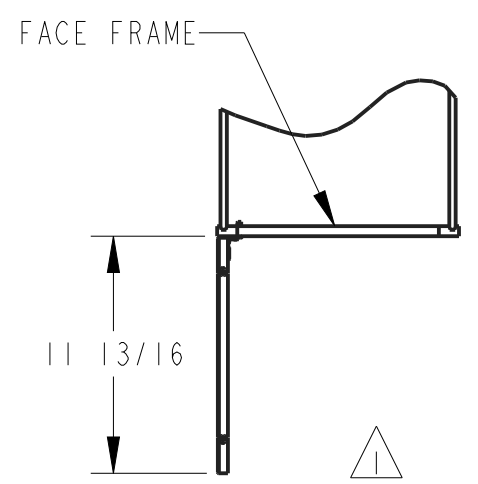
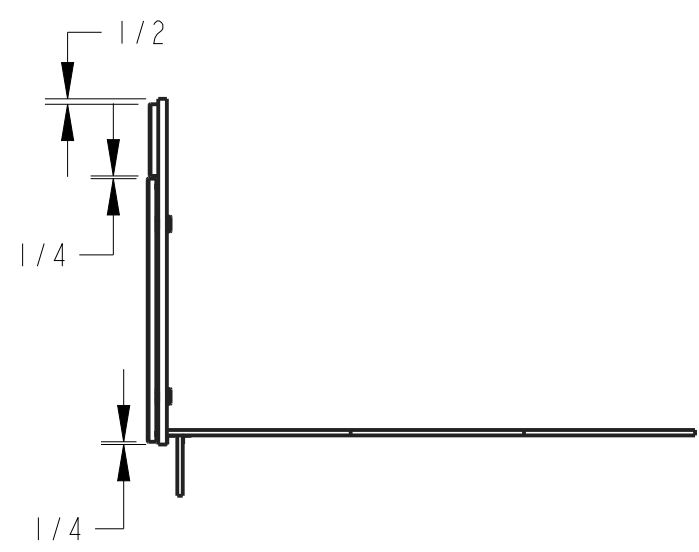
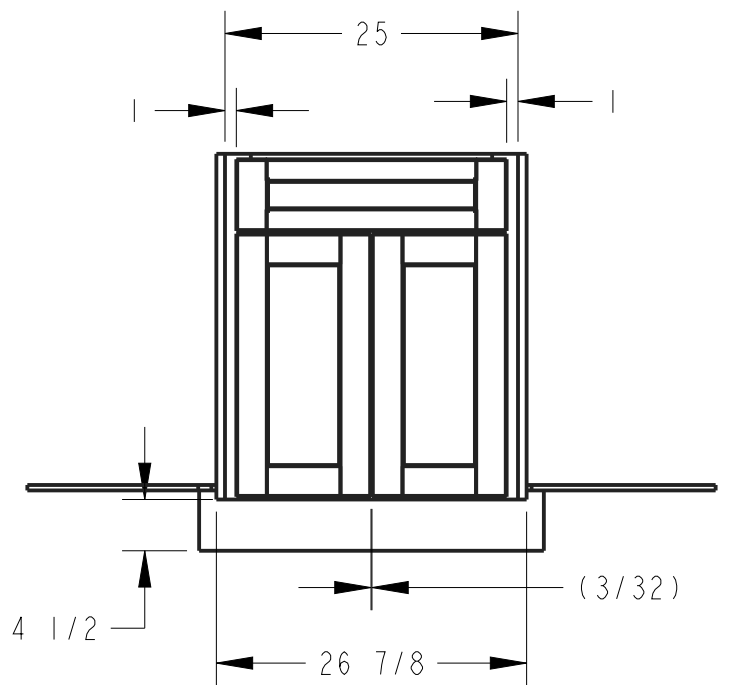
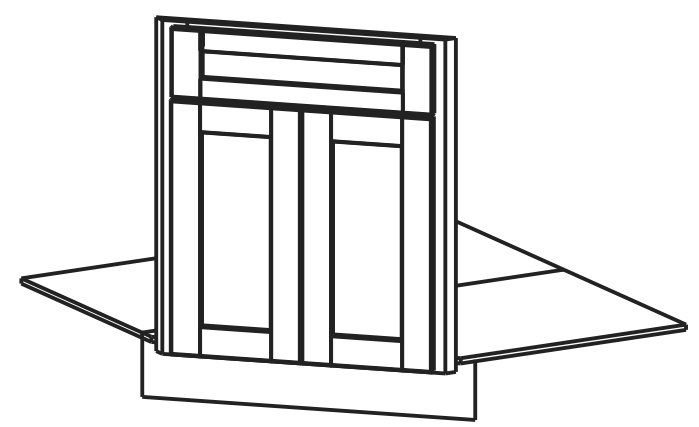
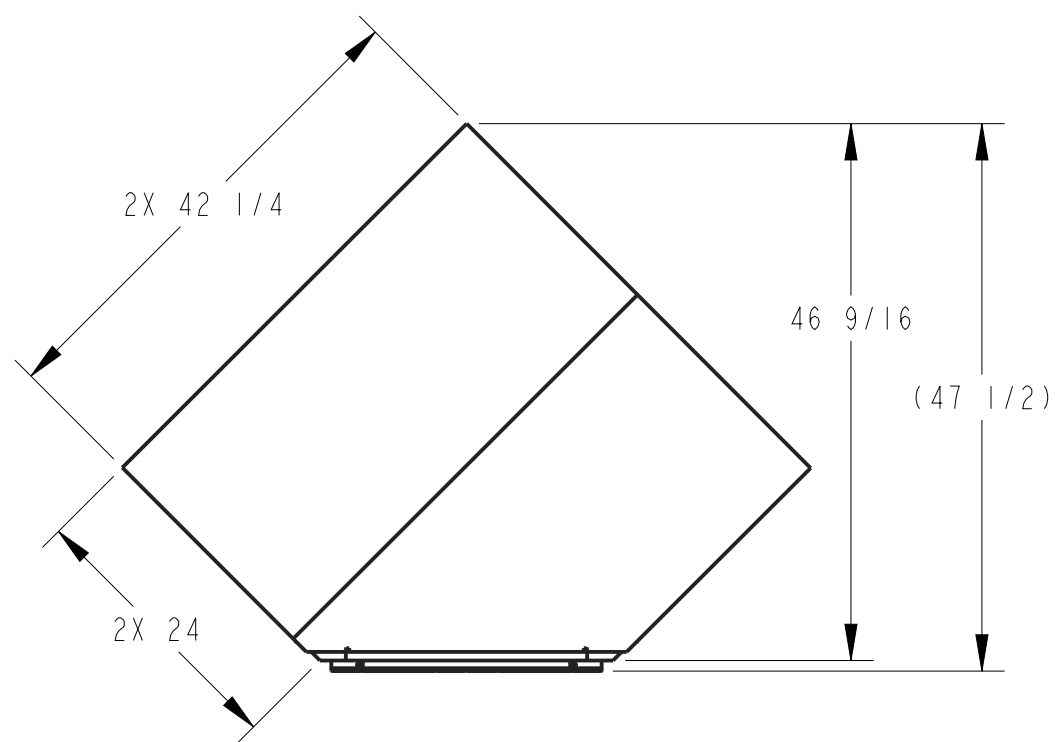


DRAWER FRONT SIZE	DOOR SIZE
ROUNDED TO THE NEAREST 1/32	
23 15/32" X 6 7/32"	11 11/16 X 22 27/32"

NOTES:
 OPEN DOOR VIEW INCLUDES HINGE SPACE OFFSET.



OPEN DOOR

THIRD ANGLE PROJECTION 	
MATERIAL N/A	FINISH N/A
DRAWN BY ANDY BROWN	DATE 30MAR2020
DESIGNED BY NORTHPOINT	DATE
APPROVED BY GREG DAVIS	DATE 22APR2020

hardware resources		
DESCRIPTION		
SFCD42 FULL OVERLAY		
DRAWING NUMBER	REV	
SFCD42_FULL_OVERLAY	A	
SIZE	SCALE	SHEET
A3	0.071	1 / 1

DOCUMENT STATUS: **Released**

HARDWARE RESOURCES RESERVES THE RIGHT TO CHANGE SPECIFICATIONS WITHOUT NOTICE.
 IN CASE OF A DISCREPANCY, ACTUAL PART GEOMETRY SUPERSEDES THIS DOCUMENT.

THE INFORMATION CONTAINED WITHIN THIS DRAWING IS THE SOLE PROPERTY OF HARDWARE RESOURCES INC. ANY REPRODUCTION IN PART OR WHOLE WITHOUT WRITTEN PERMISSION OF HARDWARE RESOURCES INC. IS PROHIBITED.