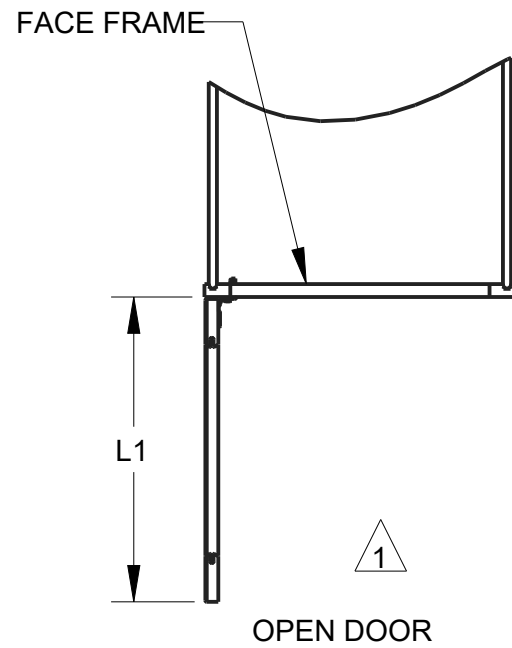
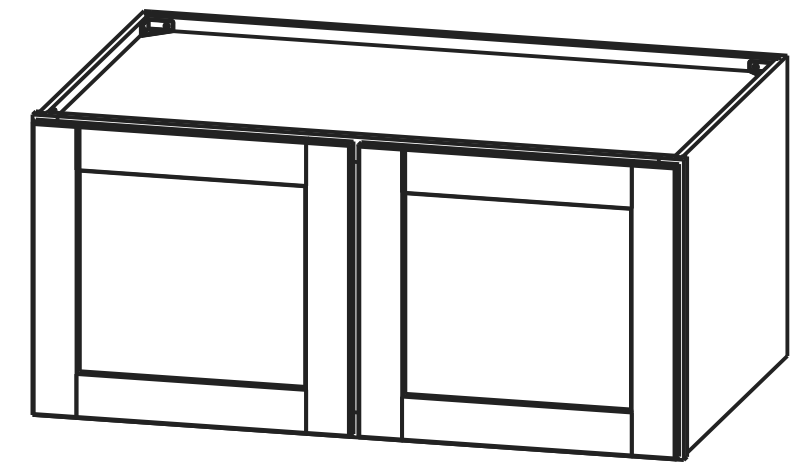
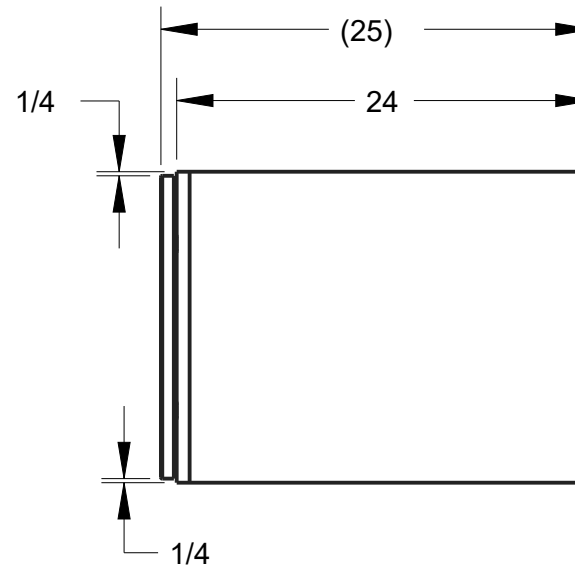
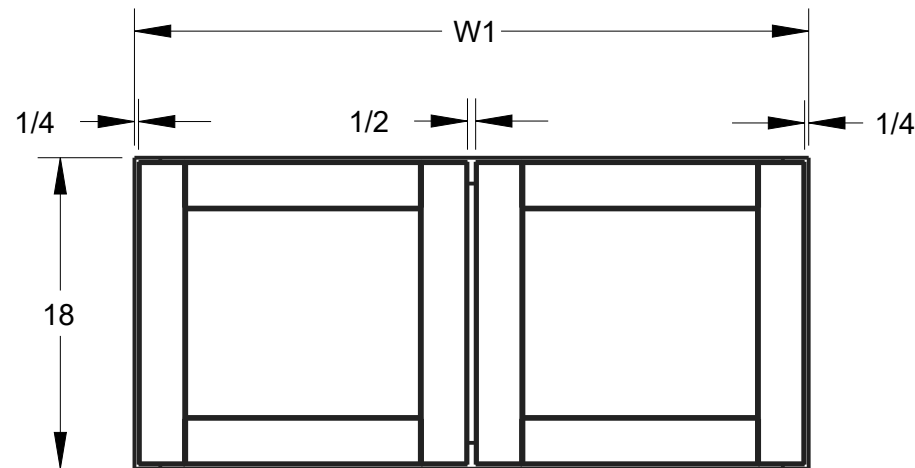


NOTES:

1 OPEN DOOR VIEW INCLUDES HINGE SPACE OFFSET.

PRODUCT	W1	L1	DOOR SIZE
			ROUNDED TO THE NEAREST 1/32
W361824	36"	17 13/16"	17 11/16" X 17 9/16"
W391824	39"	19 3/16"	19 1/16" X 17 9/16"



PRODUCT SHOWN W361824

DOCUMENT STATUS Released

THIRD ANGLE PROJECTION



MATERIAL

FINISH

N/A

N/A



DESCRIPTION

W361824, W391824 FULL OVERLAY

DRAWN BY  
ANDY BROWN

DATE  
16JUN2020

DESIGNED BY  
NORTHPOINT

DATE

APPROVED BY  
GREG DAVIS

DATE  
29JUL2020

DRAWING NUMBER  
W361824-W391824\_FULL\_OVERLAY

REV  
**B**

SIZE  
A3

SCALE  
0.100

SHEET  
1 / 1

HARDWARE RESOURCES RESERVES THE RIGHT TO CHANGE SPECIFICATIONS WITHOUT NOTICE.  
IN CASE OF A DISCREPANCY, ACTUAL PART GEOMETRY SUPERSEDES THIS DOCUMENT.

THE INFORMATION CONTAINED WITHIN THIS DRAWING IS THE SOLE PROPERTY OF HARDWARE RESOURCES INC. ANY REPRODUCTION IN PART OR WHOLE WITHOUT WRITTEN PERMISSION OF HARDWARE RESOURCES INC. IS PROHIBITED.