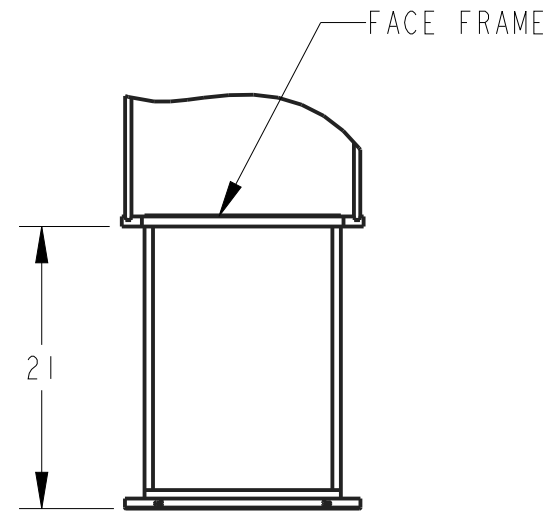
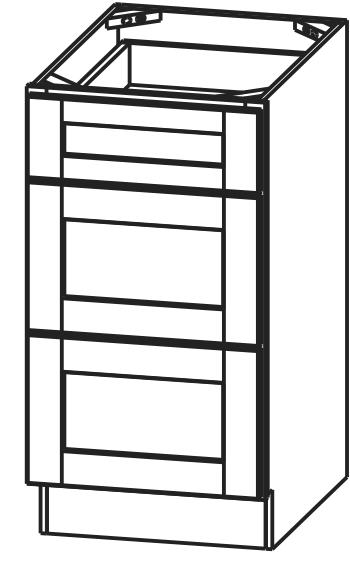
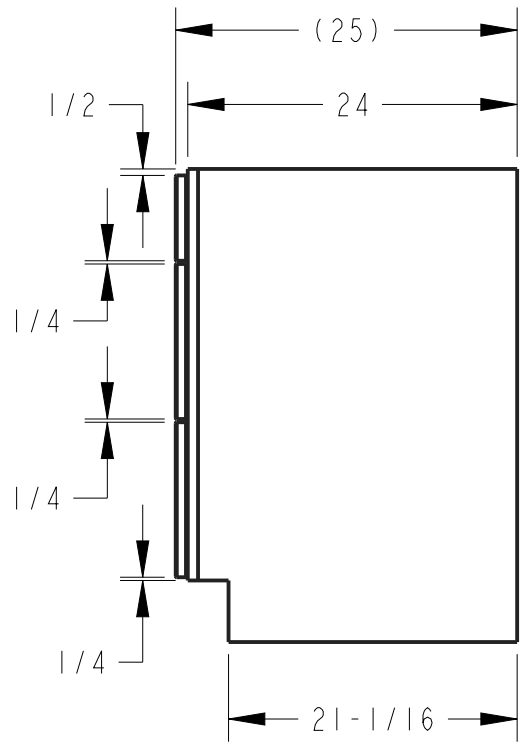
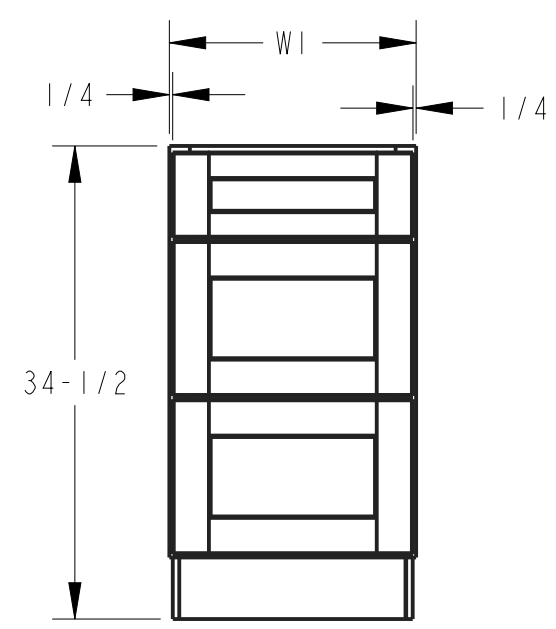


8 7 6 5 4 3 2 1

F
E
D
C
B
A

PRODUCT	WI	TOP DRAWER SIZE	2 DRAWER SIZE
		ROUNDED TO THE NEAREST 1/32	
DB12-3	12"	11 17/32" X 6 7/32"	11 17/32" X 11 5/16"
DB15-3	15"	14 17/32" X 6 7/32"	14 17/32" X 11 5/16"
DB18-3	18"	17 17/32" X 6 7/32"	17 17/32" X 11 5/16"
DB21-3	21"	20 17/32" X 6 7/32"	20 17/32" X 11 5/16"



OPEN DRAWER

PRODUCT SHOWN B18

DOCUMENT STATUS **Released**

THIRD ANGLE PROJECTION 	
MATERIAL N/A	FINISH N/A
DRAWN BY ANDY BROWN	DATE 27MAR2020
DESIGNED BY NORTHPOINT	DATE
APPROVED BY GREG DAVIS	DATE 30MAR2020

hardware resources		
DESCRIPTION DB12-DB15DB18DB21-3 DRAWER FULLL_OVERLAY		
DRAWING NUMBER DB12-DB15DB18DB21-3_DRAWER_FULLL	REV C	
SIZE A3	SCALE 0.071	SHEET 1 / 1

HARDWARE RESOURCES RESERVES THE RIGHT TO CHANGE SPECIFICATIONS WITHOUT NOTICE. IN CASE OF A DISCREPANCY, ACTUAL PART GEOMETRY SUPERSEDES THIS DOCUMENT.

THE INFORMATION CONTAINED WITHIN THIS DRAWING IS THE SOLE PROPERTY OF HARDWARE RESOURCES INC. ANY REPRODUCTION IN PART OR WHOLE WITHOUT WRITTEN PERMISSION OF HARDWARE RESOURCES INC. IS PROHIBITED.

8 7 6 5 4 3 2 1