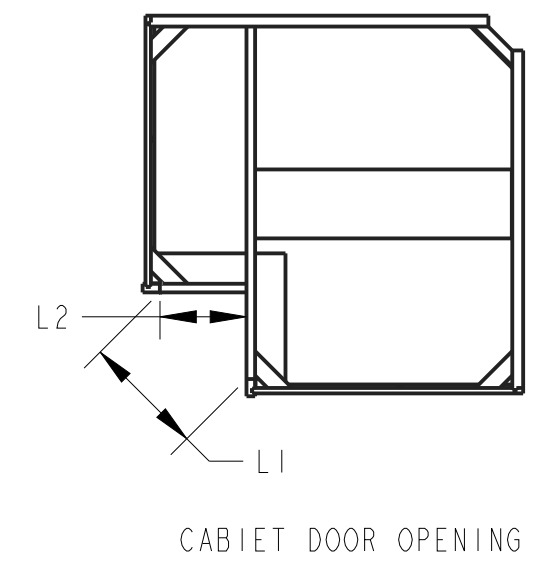
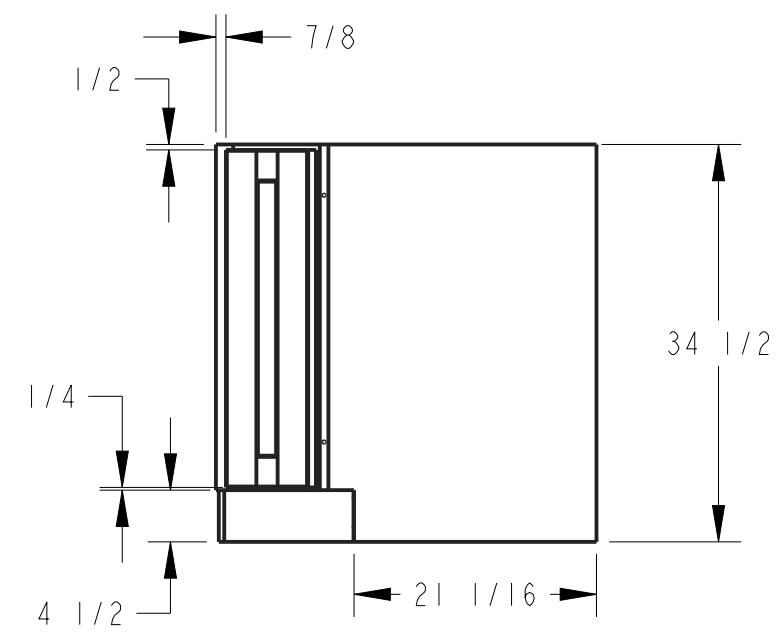
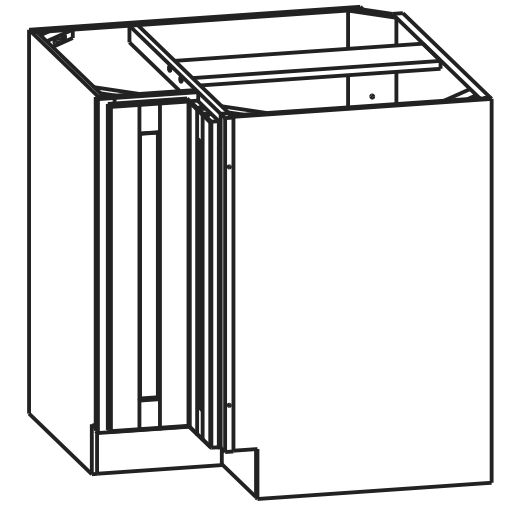
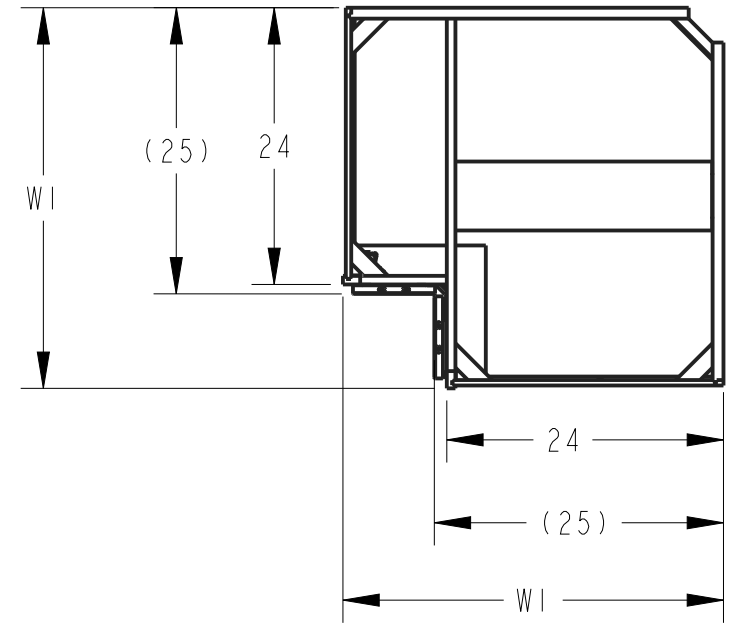


| PRODUCT | W1 | L1 | L2 | DOOR SIZE |
|---------|-----|---------|-----------|-----------------------------|
| | | | | ROUNDED TO THE NEAREST 1/32 |
| BC33 | 33" | 10 5/8" | 7 17/32" | 7 1/8" X 29 9/32" |
| BC36 | 36" | 14 7/8" | 10 17/32" | 10 1/8" X 29 9/32" |



PRODUCT SHOWN BC33

DOCUMENT STATUS: **Released**

| | | | | |
|----------------------------|-------------------|--|----------------|-----------------|
| THIRD ANGLE PROJECTION | | hardware resources | | |
| MATERIAL N/A | FINISH N/A | | | |
| DRAWN BY ANDY BROWN | DATE 26MAR2020 | DRAWING NUMBER BC33-BC36_FULL_OVERLAY | | REV C |
| DESIGNED BY NORTHPOINT | DATE | SIZE A3 | SCALE 0.071 | SHEET 1 / 1 |
| APPROVED BY GREG DAVIS | DATE 30MAR2020 | | | |

HARDWARE RESOURCES RESERVES THE RIGHT TO CHANGE SPECIFICATIONS WITHOUT NOTICE.
IN CASE OF A DISCREPANCY, ACTUAL PART GEOMETRY SUPERSEDES THIS DOCUMENT.

THE INFORMATION CONTAINED WITHIN THIS DRAWING IS THE SOLE PROPERTY OF HARDWARE RESOURCES INC. ANY REPRODUCTION IN PART OR WHOLE WITHOUT WRITTEN PERMISSION OF HARDWARE RESOURCES INC. IS PROHIBITED.