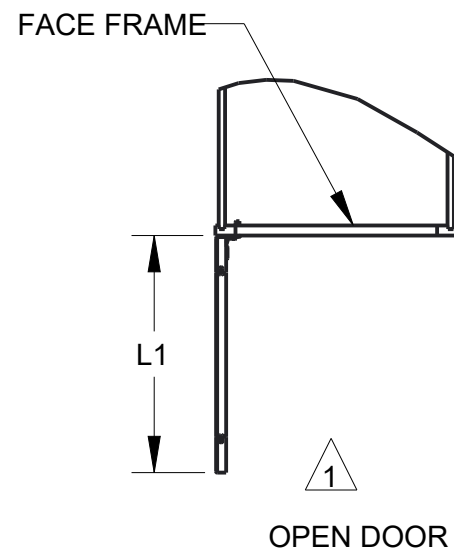
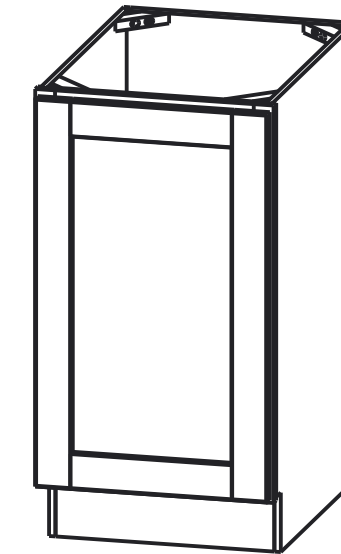
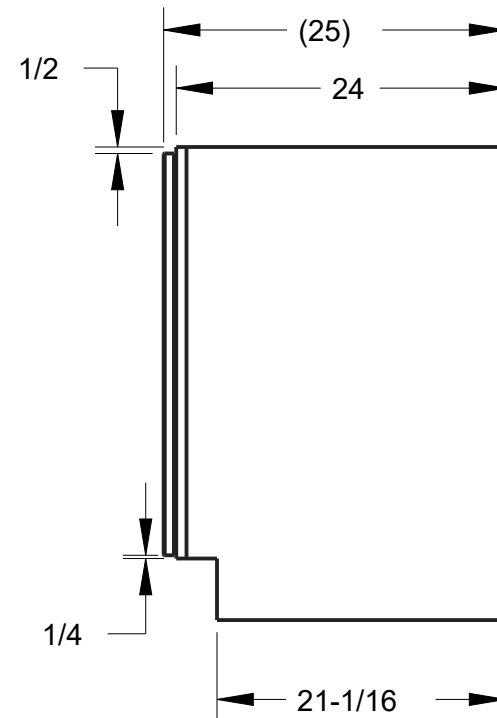
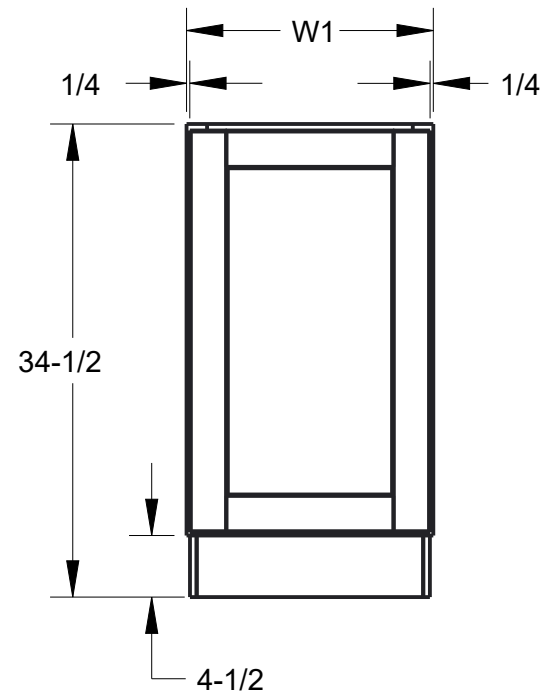


NOTES:

1 OPEN DOOR VIEW INCLUDES HINGE SPACE OFFSET.

PRODUCT	W1	L1	DOOR SIZE
			ROUNDED TO THE NEAREST 1/32
BFH09	09"	8 5/8"	8 17/32" X 29 9/32"
BFH12	12"	11 5/8"	11 17/32" X 29 9/32"
BFH15	15"	14 5/8"	14 17/32" X 29 9/32"
BFH18	18"	17 5/8"	17 17/32" X 29 9/32"
BFH21	21"	20 5/8"	20 17/32" X 29 9/32"



PRODUCT SHOWN BFH18

DOCUMENT STATUS **Released**

THIRD ANGLE PROJECTION



MATERIAL

FINISH

N/A

N/A

DRAWN BY
ANDY BROWN

DATE
23MAR2020

DESIGNED BY
NORTHPOINT

DATE

APPROVED BY
GREG DAVIS

DATE
30MAR2020



DESCRIPTION

BFH09, BFH12, BFH15, BFH18, BFH21
FULL OVERLAY

DRAWING NUMBER
BFH09-BFH12BFH15BFH18BFH21_FULL

REV
D

SIZE
A3

SCALE
0.071

SHEET
1 / 1

HARDWARE RESOURCES RESERVES THE RIGHT TO CHANGE SPECIFICATIONS WITHOUT NOTICE.
IN CASE OF A DISCREPANCY, ACTUAL PART GEOMETRY SUPERSEDES THIS DOCUMENT.

THE INFORMATION CONTAINED WITHIN THIS DRAWING IS THE SOLE PROPERTY OF HARDWARE RESOURCES INC. ANY
REPRODUCTION IN PART OR WHOLE WITHOUT WRITTEN PERMISSION OF HARDWARE RESOURCES INC. IS PROHIBITED.